

 **TRIVEL**

**USER MANUAL**  
E-Azteca & E-Fat Azteca  
V3

**AZTECA**



# Contents

Welcome .....	4	Safety warnings .....	25	Changing a punctured inner tube.....	48
A word on safety.....	5	Notice to the user .....	26	Brake adjustments.....	49
Safety recommendations .....	6	Description of the system's components.....	29	Activate / deactivate the parking brake .....	53
Before your first ride.....	8	Getting started.....	32	Derailleurs adjustment .....	54
Before each ride .....	8	Turning the power assist system on.....	33	Quick release locking system.....	58
Setting a rider's position .....	10	Choosing a mode of assistance .....	34	Using a quick release locking lever .....	59
Seat position and angle .....	11	Using the LCD Screen functions .....	35	Adjusting a quick release locking lever.....	60
Backrest height and angle.....	13	Operating range and battery usage optimisation .....	36	Folding the stem.....	61
Handlebar position .....	14	Removing or inserting the battery.....	40	Lubricating the chain .....	62
Riding basics.....	15	Charging the battery of your electric power assist system.....	42	Washing your Azteca .....	62
Turning.....	16	Storing the battery.....	43	Storing your Azteca.....	63
Going uphill.....	16	Minimum battery maintenance schedule .....	43	Normal wear .....	63
Braking.....	17	Troubleshooting (electric assistance).....	44	Reflector maintenance .....	64
Using the gears .....	17	Maintenance and adjustments.....	45	Troubleshooting.....	65
Riding in wet conditions .....	24	Tools, products and protective gear needed .....	46	Warranty terms .....	67
Riding at night.....	24	Preventive maintenance.....	46		
Riding with feet securing devices.....	24	Tire pressure adjustment .....	47		
Using the power assistance.....	25				

## Welcome

Congratulations on your purchase! We are confident that you will enjoy riding your new Azteca tricycle as we spent a great deal of time designing it with you in mind!

This manual covers all the necessary information regarding safety, usage, and maintenance of your new Azteca tricycle so you can get the most from it for many years to come.

Please thoroughly read this manual before you go for your first ride and keep it handy for future reference.

Should any instructions remain unclear to you, please do not hesitate to contact us or your dealer for further explanation.

## About us

Since 1998, the passionate, dedicated Trivel team has been designing and manufacturing tricycles for reduced mobility children and adults, providing them with hours of pedaling pleasure. We can install a wide range of custom components onto our tricycles, so it is fully adapted to each user's specific needs.

To learn more about our products, parts, accessories, and services, please visit us at [www.trivel.com](http://www.trivel.com)

## Complies with the Canadian ICES-003 Class B specifications.

This device complies with RSS 210 of industry Canada. This class B device meets all requirements of the Canadian interference-causing equipment regulations.

This device complies with Industry Canada license exempt RSS standard(s). Operation is subject to the following two conditions: (1) this device may not cause interference, and (2) this device must accept any interference, including interference that may cause undesired operation of the device.

## A word on safety

Trivel puts great effort into developing the safest product possible. Riding a tricycle, like most other sports activities, involves some risks. People who engage in this activity must be aware of those risks and fully assume them.

Thanks to its three-wheel triangular platform design an Azteca is a very safe and stable vehicle. Although it is propelled in a way that's comparable to a regular two-wheel bicycle, its handling characteristics are significantly different. Before your first ride make sure to read and understand the Riding Basics section of this manual to learn about important tips on how to operate such a vehicle.

Most accidents are caused by human factors such as bad judgment of a hazardous situation, improper handling or neglecting the equipment's mechanical maintenance.

Many serious injuries can be prevented by simply wearing adequate protective equipment such as an approved helmet.

Respecting local road laws and learning how to properly use and maintain your tricycle with the help of this manual will also help significantly reduce the risk of injuries.

It is the rider's responsibility to fully understand the usage of the equipment they are operating.

In the case of a child operating the tricycle, it is the responsible adult's duty to educate on local public road laws, supervise safe riding activity and ensure the proper fit, adjustment, and good mechanical condition of the equipment.

The following symbols will be used throughout the manual. They represent Warnings and Cautions about important or hazardous situations that must be fully understood to avoid damage to your equipment, personal injuries or even death.



This symbol indicates a serious warning about a potential risk of injury or death or other safety information



This symbol indicates cautions about the proper use of the equipment or other important information



For everything related to the use, maintenance and storage of a Power assisted system, please refer to the section Power assistance system instructions

## *Safety recommendations*

Check all component connections and accessory attachments before every ride. Do not ride your tricycle with loose components or accessories. Take the tricycle to your dealer if necessary.

Always wear an approved helmet; it could save your life. Make sure it is properly attached and positioned on your head.

Always place feet safely on pedals. Use adequate pedal attachment systems if needed.

If using a backrest, harness, or any other support system, make sure to properly tighten the belts and straps.

Make sure the user's toes are not allowed to touch the ground at any time.

Wear bright, visible clothing; preferably closely fitted to your body to avoid getting caught in components. Lace shoes properly.

Trivel is not responsible for accidents caused by the use or handling when the tricycle is towed by an adult's regular bike, or from tipping over when the child gets off the tricycle or when they activate the brakes.

When riding on public roads, always ensure you are visible to other road users. Make sure your tricycle has all the reflectors or lights that are required by the local laws. A safety pennant flag is also recommended for extra visibility.

Never ride under the influence of alcohol or illicit substances. This could seriously impair your judgment, reflexes, or balance, and may lead to prosecution, serious injury or even death.

Never carry a second passenger on your tricycle unless it is done with an approved accessory suited for the task.

Do not carry anything on the handlebars or between your legs as this could seriously impact your balance, or get caught in the wheels, and may cause serious injury or death. Use the provided cargo compartment if your tricycle is equipped with one.

Make sure your tricycle is properly fitted to you and that you are fully able to control it.

Adapt your riding style and behaviour to each type of terrain, situation, and weather condition.

This product and its components were not designed to be used for extreme conditions or stunts. Do not engage in aggressive riding or jumps.

Trivel is not responsible for accidents caused by the use of towing equipment.

If possible, avoid riding on wet or icy ground. Wet and icy ground seriously reduces traction between tires and road surface. If you must ride in wet or icy conditions, take extra caution as the risk of slipping and falling is much higher especially while turning and braking.

If possible avoid riding at night. Your vision is seriously reduced in the dark and you may not see obstacles coming at you in time to avoid them. Other vehicles might also not be able to see you and this can cause very dangerous situations potentially leading to serious injuries or even death.

When riding with children, always keep a close eye on them and try to stay away from potential hazardous situations such as stairs, steep descents, curbs, traffic, etc.

Set a good example by following all safety recommendations.

Avoid direct contact with salt water and your equipment. Wipe off sea spray or sand whenever they occur. Calcium deposits can also quickly damage important components on your tricycle.

When leaving your tricycle unattended

always lock it to an immovable object using a high-quality bicycle lock. It is also recommended to lock any easily removable components that have a quick release attachment.

Take note of your tricycle's serial number and keep it in a safe place. This unique identification number may be required by Trivel customer service for warranty purposes. It can also help prove ownership of the equipment to your insurance company or local police in case it is stolen.

*For California residents: This product may contain chemicals known to the state of California to cause cancer and birth defects or other reproductive harm, including paint, lubricants, and various metals. Wash hands thoroughly after handling this product. (California Prop 65).*

## Before your first ride

Congratulations! You are about to experience a unique feeling, riding an Azteca! To ensure you have a pleasant first ride, please make sure to follow these simple instructions:

- Read or have someone read to you this manual's Safety Warnings and Riding Basics sections. Only when these sections have been fully understood is it recommended to go for your first ride.
- Adjust the seat, backrest, and handlebars to the recommended position for you. See the Adjusting your Azteca section.
- Perform a safety check of the equipment. See Equipment Safety check in the following chapter.
- You're good to go! Put your helmet on and enjoy the ride!



*To get to know how your Azteca handles and how control components such as the brakes and derailleurs feel, it is strongly recommended that you choose a private road or closed-circuit with no major inclines or heavy vehicles.*

## Before each ride

### EQUIPMENT SAFETY CHECK

Proceed with the following Equipment safety check before going for a ride.

### Check component attachments

- Check front wheel attachment by lifting the front end of your Azteca and firmly hitting down on the top of the wheel. The wheel should not move. If the wheel moves or slips off the fork tighten the nuts or quick-release locking system. See the quick-release locking adjustment section for instructions.
- Check handlebars, seat, backrest and all other attached systems for unwanted movement. Tighten loose components if needed. See the Setting your position on your Azteca section for instructions.

## Check brake function

- Pull the brake levers with full strength and make sure the brakes stop the wheels from spinning efficiently.
- Brake pads should touch the brake disc within the first third of the brake lever stroke.
- The brake lever should not be able to contact with the handlebar grip.
- When the brake lever is released the wheel should be able to spin freely.



*If these conditions are not met, a brake adjustment is required. See brake adjustment section for instructions.*



### **Check tire pressure**

Use a pressure gauge or connect a pump with a pressure gauge to each tire's valve to get a pressure reading. Make sure the pressure is within the tire's recommended pressure range.

Recommended tire pressure is marked on each tire's sidewall. Adjust pressure with a pump if it is below the recommended minimum. It is normal for a tire to lose a bit of its pressure over time. However, if your tire is completely flat (out of air pressure), it is likely that its inner tube has been punctured. You will need to repair or replace the inner tube before you can go for a ride. See tire pressure adjustment and puncture repair section for instructions.

### **Check the chain's lubrication**

Spin the chainwheel backwards and visually inspect the chain for proper lubrication. A squeaking sound when the chainwheel is spinning is also an indication that your chain needs to be lubricated. If in doubt, add a little lubricant. See the Lubricating the chain section for instructions.



*If possible, always ride with someone else. This way, in the case of an accident, one can call for assistance and wait along with the injured rider.*



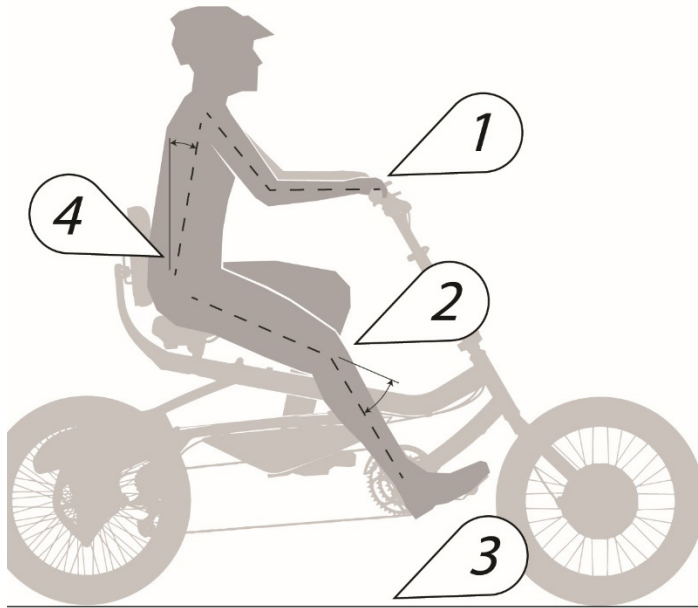
*If you are going by yourself, tell someone your itinerary and expected return time. Bring a cellular phone if possible.*



*If using a power assist system, think about the planned distance of your ride and battery autonomy. Adapt your power assist level accordingly. See Optimizing your battery life section in Getting Started chapter for more details on how to increase your range.*

## Setting a rider's position on an Azteca

Comfort is key to a pleasant ride. Your Azteca offers a number of ergonomic adjustments to ensure you an optimal fit. The following key points are recommended to ensure proper positioning.



1. Adjust handlebar height so that the forearms are parallel to the ground when the user is sitting.
2. Set the seat position so that there is a slight bend of the knee when the pedal is at its farthest point.
3. In case of emergency the user must be able to touch the ground with their feet while sitting. Adjust the saddle and backrest height and angle so that the user's torso is close to vertical (depending on riding style and preference).

## Seat position and angle

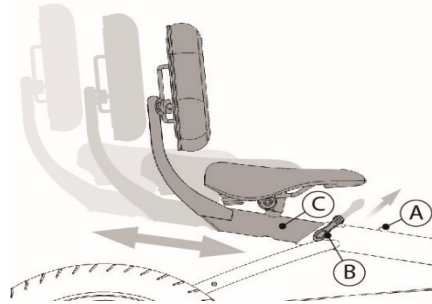
The seat position is the primary adjustment to modify the user's position.

Moving it back or forth will change the torso angle and leg extension when pedalling, so that optimal control and pedalling efficiency can be obtained.

For a more active position, we recommend that the seat be adjusted so that the user has a slightly forward torso angle as well as an approximate knee angle of 25 degrees when the pedal is at its farthest point when pedalling.

For a more relaxed position, the seat can be moved forward, thus allowing less leg extension and an upright or reclined torso angle.

INSIDE LEG: 30" to 40".



A) Locking set screw

B) Quick release locking lever

C) Seat post

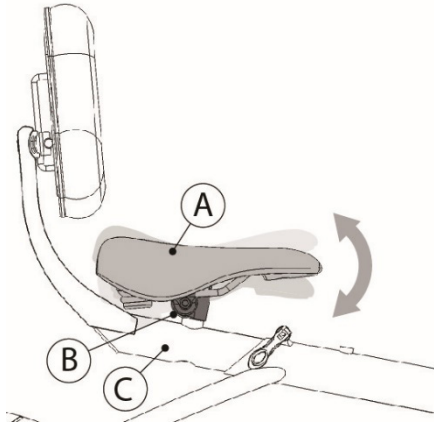
## Seat position

Set seat position by moving the Seat Post (C) forward or backward along the frame.

1. Loosen the seat post locking set screw (A) using an Allen key
2. Loosen the quick release locking lever (B) to release the seat post (C)
3. Adjust seat position to the desired distance from the chainwheel
4. Lock the quick release lever (B) to secure the seat post (C) in its new position
5. Tighten the seat post locking set screw (A)

### Seat angle

The seat angle can be adjusted to your personal preference either for a straight upright position, or a more relaxed reclined seating position. You should also consider adjusting the backrest height and angle accordingly.



A) Seat

B) Seat carrier clamp

C) Seat post

Set the seat angle by tilting the seat (A) forward or backward along the seat carrier clamp (B).

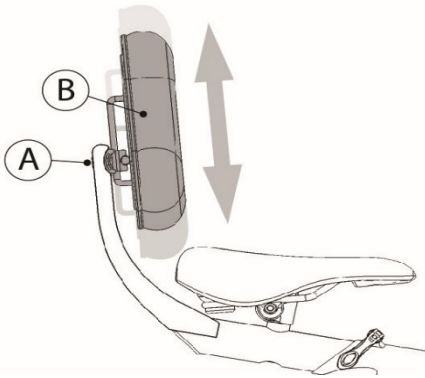
1. Loosen the seat carrier clamp (B) using a wrench until the seat (A) can tilt freely.
2. Tilt the seat (A) to the desired angle.
3. Re-center the seat (A) along the seat post (C) if it is unaligned.
4. Tighten the seat carrier clamp (B) using a wrench until the seat (A) is locked tightly in its new position.

### ***Backrest height and angle***

The backrest height and angle can be adjusted at the same time from the back of the backrest using just one tool.

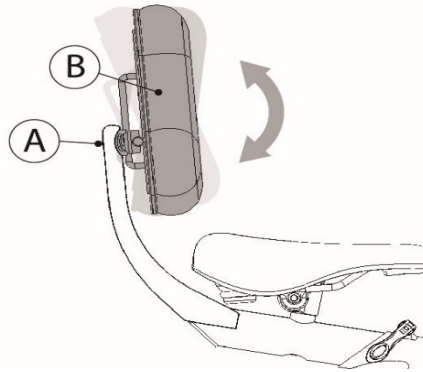
#### ***Backrest height***

The backrest height can be adjusted to support your lower back precisely where it needs it the most.



#### ***Backrest angle***

The angle should be adjusted along with the saddle for either an upright or a more reclined position.



- A) Backrest carrier clamp bolt
- B) Backrest

1. Loosen the backrest carrier clamp (A) using an Allen key until the backrest (B) can move freely.
2. Position the backrest at the desired height and angle.
3. Secure the backrest in the new position using the Allen key.

## Handlebar position

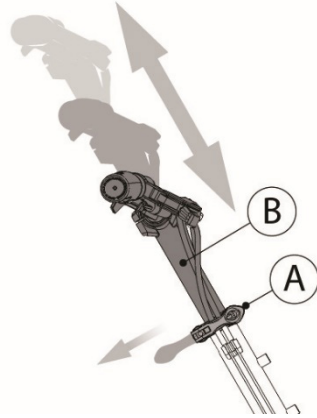


*Make sure to fully understand how to use and adjust a quick release lever before setting the handlebar position. Failure to properly use this mechanism can result into the dismantling of the stem assembly and lead to a loss of control and serious injuries. Instructions on how to use a quick release lever can be found in the Maintenance and adjustment section.*



*Never lift the stem above the minimum insertion mark engraved on the lower part of the stem. Lifting the stem above this mark can result into the dismantling of the stem assembly and lead to a loss of control and serious injuries.*

You can easily move the stem (B) up or down using only the quick-release lever (A).



A) Quick release lever

B) Stem

The stem should be positioned so that the user's forearms are parallel to the ground when holding the handlebars.

1. Loosen the quick release lever (A) to its open position to free the stem (B).
2. Adjust the stem to the height required to meet the recommended arm position.
3. Check alignment of the handlebars with the front wheel. Realign if not perpendicular.
4. Lock the quick release lever (A) back to its closed position to lock the stem (B) in its new position.

## *Riding basics*

Congratulations on choosing to ride differently! Compared to a regular bicycle, riding an Azteca, with its reclined position offers several benefits.

### **RIDE MORE COMFORTABLY**

A reclined position relieves pressure on your wrists, preventing pain and numbness due to the compression on the hand's nerves. This position also allows for greater support of the lower back, helping reduce spine related pain often experienced by riders with less flexibility on a regular bicycle. Lastly, an upright torso angle virtually eliminates the cervical spine pain due to the stress on the neck often felt with the traditional bicycle riding positioning.

### **RIDE EASIER**

An Azteca is an excellent option for people who are new to cycling, those who have a bit less balance, or riders who want to experience a new type of riding. Our distinctive three wheeled platform puts the user in a lower and more centered position along the wheelbase, allowing for fun, easy, free coasting and amazing cornering capabilities.

### **RIDE LONGER**

With less pain you'll have more endurance and be able to go for longer rides. Breathe easier with the upright position and enjoy the scenery with the excellent peripheral view this position provides.

## Turning

Practice safe turning first by controlling your speed at all times, and especially before going into a curve. It is of the utmost importance that the user gets to know how an Azteca handles curves at different speeds and on different surfaces. As previously recommended in this notice, the user should ride their Azteca on a closed road several times before going on a ride on public roads.



*A three wheeled vehicle is not able to lean like a two-wheeled vehicle can when turning. You should always allow more time for braking when approaching a curve. Taking a curve at a high speed can lead to a loss of control and braking capacity that can result in serious injuries.*



*If the speed is too high while taking a curve, there is a risk of tipping over. It is the responsibility of the user to be in control of their speed and to brake sufficiently before taking a curve. The user must avoid tipping at all times.*



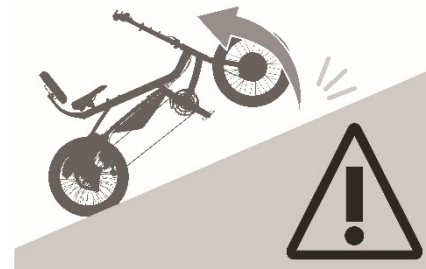
*In a situation where going into a curve at high speed can't be avoided, it is recommended that the rider leans their body weight slightly inside the direction of the curve to help prevent tipping.*

## Going uphill

Your Azteca has been designed with a wheelbase length that allows the rider to safely take on most inclines. However, it is recommended to exercise caution on inclines over 8% (roughly a 5 degree angle). Be aware that each rider's center of gravity on their trike depends on their height and weight. Be extra cautious when climbing inclines steeper than 8%, and make sure to lean your weight forward to prevent tipping back.



*If the incline is too steep, there is a risk of tipping backwards, which can lead to the loss of the front brake function and/or a risk of serious injuries. It is the responsibility of the user to know their itinerary beforehand and plan a safe route. The user must avoid tipping at all times.*



*In a situation where a rider is attempting an incline over the vehicle tipping point limit, it is recommended that the rider leans their body weight slightly forward to help prevent tipping.*



## Braking

Efficient braking will improve your riding and make you safer. Before your first ride, you should get to know how the brakes work, how powerful and responsive they are, and which side is front, which side is rear.



*Keep in mind that the braking distance needed to come to a complete stop is likely to be longer when riding an Azteca compared to a traditional bicycle.*

## HOW TO BRAKE EFFICIENTLY

1. Use both front and rear brakes simultaneously.
2. Apply force progressively on the brake levers (modulate the braking force in between front and rear brake).
3. Understand that the front brake is responsible for most of the braking duties.
4. Avoid putting so much force on the brake levers that you lock the wheel and skid.
5. Understand that the braking power is at its peak at the point where the wheel is about to lock, but is reduced drastically when it does.
6. Anticipate braking time according to your speed, weather conditions and the riding surface.
7. Avoid braking while in a curve. Instead, brake before a curve and release the brake while turning.

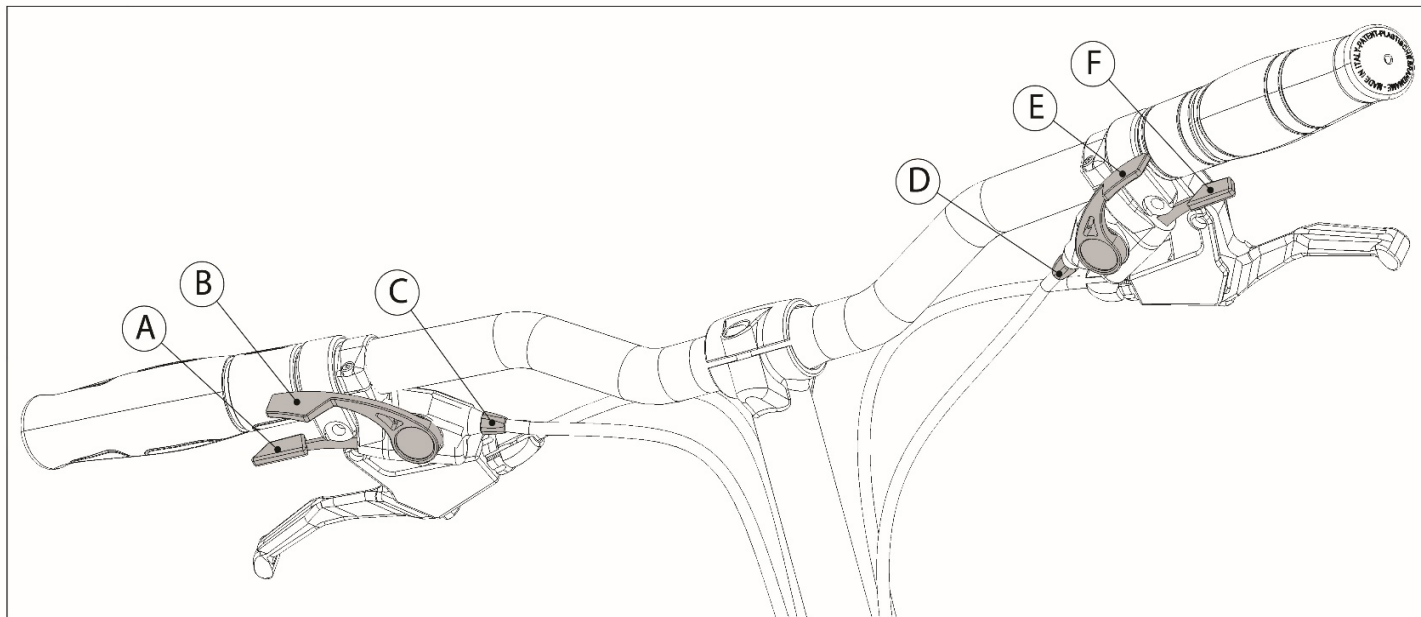
## Using gears

Knowing how and when to shift gears will make your riding experience better. Shifting gears frequently to adapt your pedalling cadence to your speed can help prevent muscular fatigue, joint injuries, and extend the drivetrain life.

Your Azteca is equipped with an efficient and reliable gear transmission system.

To make the most of it, you should understand how it works and how to use it properly.

## Shifter component terminology

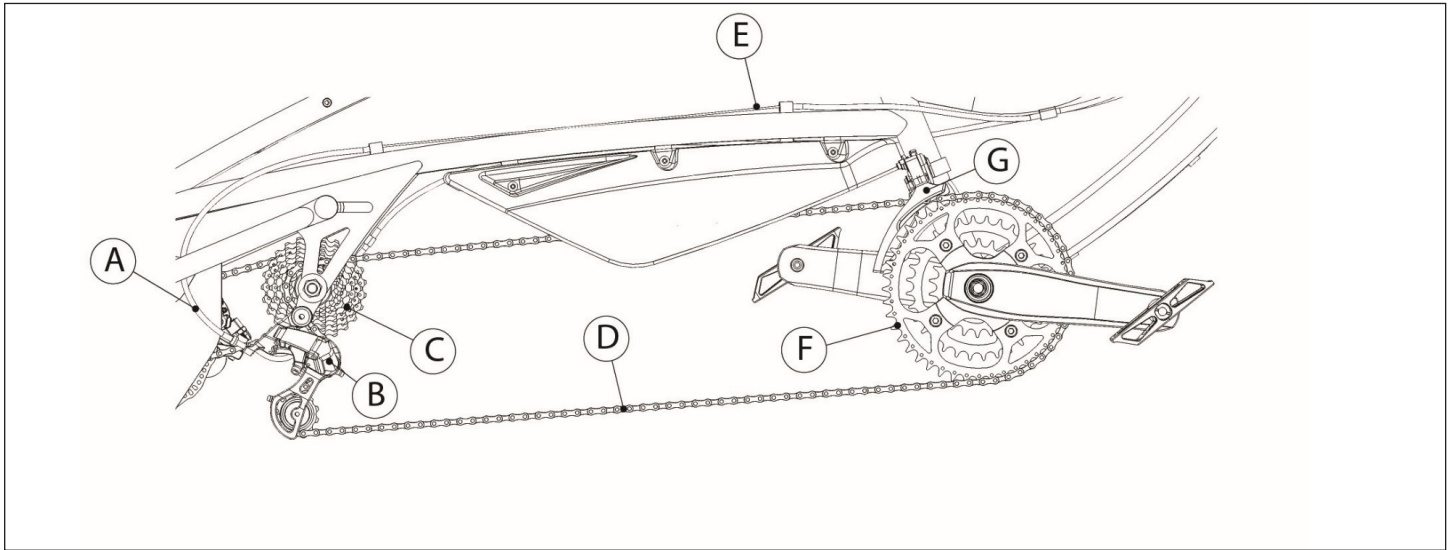


- A) Front derailleur down shift lever\*
- B) Front derailleur up shift lever\*
- C) Front derailleur cable tension adjustment barrel\*
- D) Rear derailleur cable tension adjustment barrel

- E) Rear derailleur down shift lever
- F) Rear derailleur up shift lever

*\*Not applicable on 9-speed model*

## Gear and chain component terminology



- A) Rear derailleur cable housing
- B) Rear derailleur
- C) Freewheel
- D) chain
- E) Rear derailleur cable
- F) Chainwheel\*

- G) Front derailleur\*\*

*\*Not applicable on 9-speed model*

*\*\*Not required on 9-speed model*

### ***How it works***

The shifter levers either pull or release the cable, moving the derailleurs sideways, pushing the chain from one sprocket to another resulting in a gear change.



*A gear change can only be made when the rider is pedalling.*



*There are several types of transmission systems and many possible combinations. If the system fitted on your Azteca is not sufficient for your level of fitness, preferred route, or personal preferences, ask a qualified technician for possible upgrades.*

### ***Highest gear combination***

- To reach a high speed
- Requires more physical effort

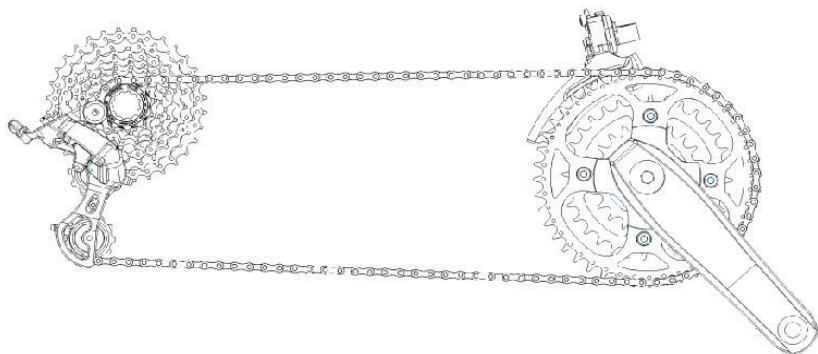
### ***Lowest gear combination***

- To ride at low speed or uphill
- Requires less physical effort

*\*Not applicable on 9-speed model with only 1 front sprocket*

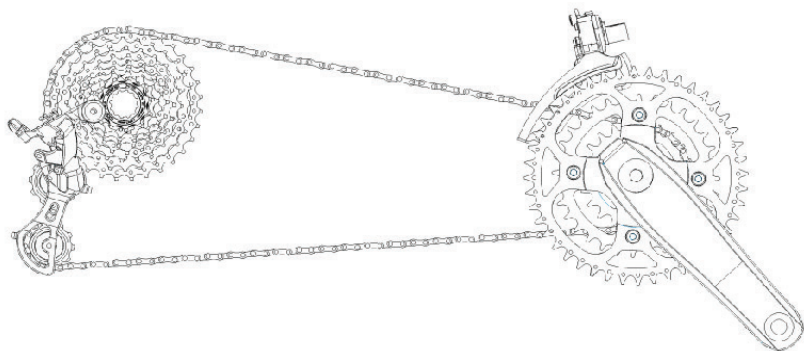
***Highest gear combination***

(Largest front chainwheel\*/Smallest rear sprocket)



***Lowest gear combination***

(Smallest front chainwheel\*/Largest rear sprocket)



## *Changing to a higher gear*

As you accelerate and gain speed it will become necessary to change to a higher gear in order to keep going faster. Gradually switch up through the gears until you reach your desired cruising speed while maintaining a comfortable pedaling cadence.

To change to a higher gear in small increments use the rear derailleur (index finger shift lever, right hand side)

To change to a higher gear in large increments use the front derailleur (thumb shift lever, right hand side)\*

## *Changing to a lower gear*

As you slow down, pedal into a headwind, or when pedaling uphill, it will become necessary to change to a lower (easier) gear in order to maintain a comfortable pedaling cadence without over-exerting.

To change to a lower (easier) gear in small increments use the rear derailleur (thumb shift lever, right hand side)

To change to a lower (easier) gear in large increments use the front derailleur (index finger shift lever, left hand side)\*

*\* Not applicable on 9-speed model with only 1 front sprocket*

## How to shift gear efficiently

- Avoid shifting gear when the chain is under heavy tension. Reduce your pedalling power briefly when changing gear.
- Avoid accelerating on a high gear. Instead, start off with a low gear and shift up progressively to avoid putting too much tension on the chain.
- Avoid “crossing the chain” by alternating rear derailleur gear change and front derailleur gear change.\*
- Think of shifting down before coming to a complete stop so you can start off again on an easy gear and prevent premature wear to the system.



*Advenant un déraillement soudain de la chaîne, cessez immédiatement de pédaler. Replacez soigneusement la chaîne sur le plateau afin d'éviter d'endommager le cadre et/ou les composantes.*

On the 24 speed model the following gear combinations should be avoided to prevent premature wear of the transmission components:

### Low front gear – High rear gear\*



### High front gear – Low rear gear\*



\* Not applicable on 9-speed model with only 1 front sprocket

### *Riding in wet conditions*

Try to avoid riding in wet weather if possible as this seriously increases the risk of losing control and falling.

Tire adherence to the road surface, as well as braking efficiency, are greatly reduced in wet conditions. Slow down, start braking earlier and more gently, and take extra caution when turning.

Water splashing into your eyes can reduce vision; wear proper eyewear.

### *Riding at night*

Try to avoid riding at night as this adds several risks.

Make sure you are visible to others and that you can also see them well. Reflectors included on your tricycle are minimal safety devices, and it is recommended that you use a proper set of lights on your tricycle (Depending on your location this could be mandatory by the law).

Wear bright colored clothes and equipment and always check to confirm that people see you before attempting a manoeuvre. Always ride defensively and assume that people don't see you.

### *Riding with foot securing devices*

Be careful while riding with foot securing devices such as toe-clips or clipless pedals. Although they may help increase pedaling performance, there is a learning curve before being able to safely use these devices. Start gradually and adjust the tightness of the straps or springs accordingly.



## Using the power assistance

### Safety warnings

The electric power assist system equipped on your Azteca is a safe and reliable set of components that complies with safety regulations.

There are a few safety precautions to follow to minimize the risks and dangers from electrocution, fire hazard and injury.

If your Azteca is equipped with an electric power assist system, please make sure to read and understand the following warnings:



*Do not alter or disassemble any component of the power assist system. Service and maintenance must always be performed by a qualified technician.*



*Always use the original equipment provided to operate and charge the system. For replacement parts, contact Trivel or your dealer.*



*An electric power assisted tricycle handles differently than a human powered only tricycle. The acceleration can be surprisingly effective, and you should get familiar with its behavior gradually before riding on public roads.*



*An electric power assisted tricycle is heavier than a human powered only tricycle. Always keep that in mind when evaluating the required distance needed for braking. It may be longer than what you are used to. This also calls for more attention to the maintenance of your brake system and tires.*



*Always look ahead of you while riding. Avoid staring at the system's LCD screen for long periods. Learn to operate the system without staring or with only a quick glance.*



*A power assisted bicycle might not be suited for use by children or people with reduced physical or mental capabilities. Make sure to consult a specialist to help you decide whether it is suitable or not.*



*Laws and regulations regarding speed limits and the use of power assisted vehicles vary between countries and sometimes even between states or provinces. Make sure you know, understand, and comply with local laws and regulations.*



*Always follow the instructions contained in the Power assistance system instructions section of this manual when operating, charging, and storing the battery or charger.*

## *Notice to the user*

Trivel notifies the owner or the user of an electrically assisted vehicle of the Trivel disclaimer of responsibility and of the risks and danger of the use of such a product and of the means to protect against them following its purchase from an authorized Trivel dealer.

### *Compliance of products to applicable legislation*

Trivel warrants its electrically assisted vehicle conforms to laws and norms applicable in the province of Québec, Canada. For any purchase with a view to using it outside the province of Québec, the owner must personally verify the details of the legislation effective in the country, state, territory, or province concerned, for the applicable norms, declarations, interdictions, and other requirements of said legislations. The liability of Trivel shall not be engaged in case of non-compliance with the legislation of the country, the state, the territory or the province where the product is delivered and/or utilized, it is the owner's responsibility to check with local authorities.

## *Safety precautions during use*

Trivel recommends that the owner operate the vehicle and ride it on a closed circuit course for a duration of between six (6) and twelve (12) hours, depending on the user's level of experience, to allow the owner to become familiar with the operation of the vehicle, to develop sufficient knowledge and ability and to become familiar enough with it that the user will be provided with a level of safety that is to be expected. Electrically assisted vehicles were not designed, developed, distributed, or sold for professional use or to be used commercially, nor to be used for stunts, ramp acrobatics, jumps, aggressive riding or riding in excessively rigorous conditions such as: winter conditions (with the product in contact with ice, water, salt, sand and calcium) and tropical conditions, (contact with sea salt or riding with heavy loads), or for any other similar activities.

Consequently, non-compliance with these instructions and recommendations renders Trivel warranties null and void and exonerates Trivel from any liability towards the owner.

## *Information regarding risks and dangers and ways to guard against them*

To minimize all risks and dangers from electrocution and to guard against any fire, burn, damage, prejudice, injury or injury that could cause death and that could result directly or indirectly from the battery of the electrically assisted vehicle, the general precautions regarding electrical devices are applicable. The slightest electrical discharge can cause serious injuries and you must read all the instructions with care. Without limiting the generality of the preceding, and in addition to the instructions in the Owner's Manual, Trivel recommends that you never touch hot surfaces, use only the battery and the original charger recommended by Trivel, always use the specific charging equipment to charge the battery, never expose the battery or the charger to heat, never dismantle or modify the battery or the charger, do not expose the battery or the charger to liquids, do not use a damaged battery or charger, stop charging the battery if the charge is incomplete at the end of the theoretical charging time, stop use of the battery and charger if they emit an unusual odour, become hotter than usual or if something seems abnormal, never leave

the battery and charger where they can be reached by children, and here we urge that extreme vigilance is necessary in this regard, never touch the battery or charger with wet hands, never turn on the battery or charger if they have damaged cables or tie downs or if the battery or charger have any kind of malfunction or have been damaged in any way, always take the battery and charger back to the dealer for maintenance, examination, repair or setting, always make sure to correctly connect the charger to the battery and the charger only to alternating current of 110V A.C., do not use a battery or charger if they are dusty, do not use the charger with other than the specified current, do personally check the battery and charger for any damage, do not leave the battery and charger near an electrical heating appliance, a gas or microwave appliance, do not touch the charger or the battery for too long during battery charging, do not position the charger or the battery in an unstable manner and do not cover the battery or the charger or hang anything from them and never use the battery and charger for any use other than the one for which they have been designed.

To minimize all risks and dangers and to guard against any damage, prejudice, injury and injury that could cause death, Trivel recommends to the owner to ride carefully on bicycle paths and not on public roads.

Even if the local competent authorities allow riding on public roads, the owner will do so at his or her risk and peril. In addition to the general rules that apply to riding on bicycle paths or public roads, the Highway Safety Code, L.R.Q. chap. C-24.2 contains special provisions for users of electrically assisted vehicles and these must be followed to protect against all risks and dangers that are inherent to the use of such vehicles.

The equipment must be checked periodically by your dealer as part of regular maintenance and to spot stress and/or potential failures including but without limiting the generality of the preceding, cracks, deformations, corrosion, paint chipping dents and for any other indications of potential problems, improper use or abuse. These periodic inspections are proven essential safety measures that can prevent accidents and injuries to the owner.

Negligence or non-compliance with these regulations can cause serious injuries to

the owner and may, in certain cases, cause death. Consequently, non-compliance with these instructions and recommendations renders the warranties given by Trivel null and void and exonerates Trivel from all liability toward the owner.

### ***General disclaimer of responsibility***

Trivel shall not be responsible for damages of any kind, whether material, immaterial or corporal, sustained by the owner including loss of time, loss of income, trouble and inconvenience that might result from:

1. Improper operation of the vehicle
2. Non-compliance with the instructions and recommendations contained in this notice Any handling-related incident whether involving error or not
3. Any abnormal use or use which does not conform to the vehicle's designed purpose.
4. Any cause of exterior origin

Trivel advises the owner that using an electrically assisted vehicle entails inherent risks and dangers that the owner agrees to assume completely whatever their nature.

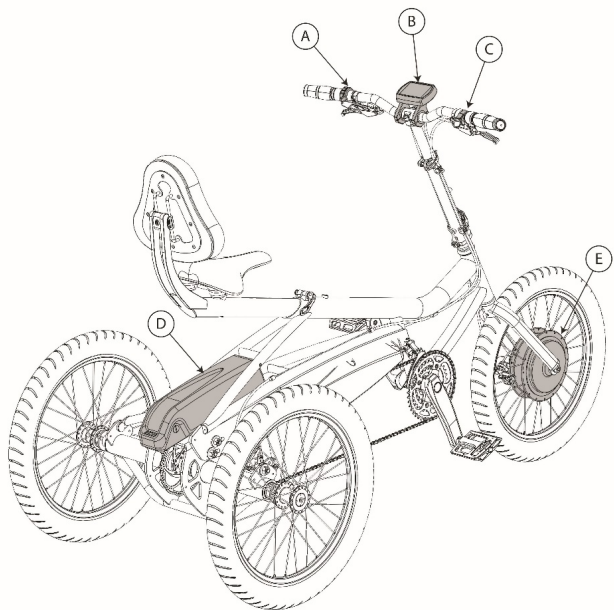
The owner accepts to hold Trivel harmless from any liability and to solely assume liability for any damage of whatever nature that he might sustain or that he or she might cause to a third party.

The owner renounces any claim and any procedure, of whatever nature, against Trivel, in the event of losses, damages or injuries of any kind that he or she might sustain while using the equipment and this applies before, during and after said use.

#### ***Applicable laws and competent tribunals***

All disputes or disagreements that might arise following the purchase of the electrically assisted vehicle from a dealer shall be subject to the laws that apply in the province of Québec, Canada. Parties shall elect domicile in the Montréal Judicial District, province of Québec, for the hearing of any claim pertaining to interpretation, application, conclusion, terms, validity, and effects of the warranty.

## *Description of the system's components*



A) Control panel

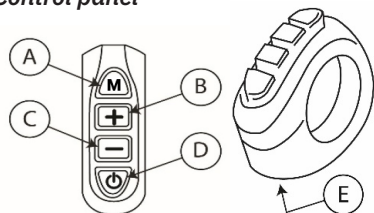
B) LCD Screen

C) Throttle

D) Battery

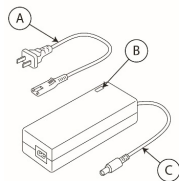
E) Hub motor

## Control panel



- A) Setting/Mode button
- B) Up button
- C) Down button
- D) System power and lights on/off button
- E) USB charging port

## Charger



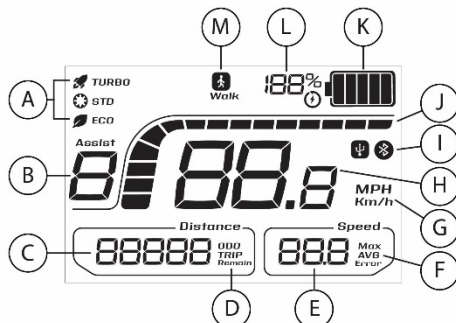
- A) AC Power cord
- B) Charger status LED indicator
- C) Charging plug

Manufacturer 1:  
KUNSHAN ST  
ELECTRONICS CO LTD  
Type: STC-8137LD  
Technical data:  
Input: 100-240VAC,  
50/60HZ, 120W  
Max output: DC54.6V  
Output: DC48V 2.0A

Manufacturer 2:  
SHENZHEN FUYUANDIAN  
POWER CO LTD  
Type: FY1505462500  
Technical data:  
Input: 100-240VAC,  
50/60HZ, 3.0A  
Output: DC54.6V 2.5A

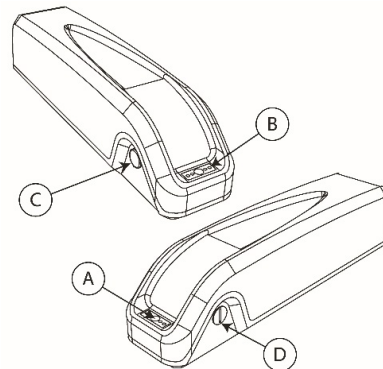
Manufacturer 3:  
SHENZHEN ATNEN  
TECHNOLOGY CO LTD  
Type: LBC015480301  
Technical data:  
Input: 100-240VAC,  
50/60HZ, 2.5A  
Output: DC54.6V 3.0A

## LCD Screen



- A) Current mode
- B) Assist level
- C) Odometer
- D) Odometer mode
- E) Speed statistics
- F) Speed mode
- G) Speed unit
- H) Current speed
- I) Connected devices
- J) Power assist gauge
- K) Battery capacity
- L) Battery capacity (%)
- M) Walk assist mode

## Battery



- A) Battery level check button
- B) LED battery level indicator
- C) Charging port
- D) Key lock

Type: Lithium Ion  
Rated Voltage: 48V  
Maximum Charging Voltage: 54.6V  
Current: 2.5A  
Capacity: 496.8WH/10.35AH  
Charging Temperature: 0-45°C (32°F to 113°F)  
Operating Temp.: 0-45°C (32°F to 113°F)  
Storing Temp.: 0-45°C (32°F to 113°F)  
Model: TP-BD100E

### Additional information

Product's Name: Power-Assisted Tricycle

Model: E-Azteca & E-Fat Azteca

Applicable altitude: below 2000 m

Net Weight of Complete Trike:

E-Azteca: 43KGS

E-Fat Azteca: 45KGS

Size:

E-Azteca: 1850x730x1230mm after assembly)

E-Fat Azteca: 1900x770x1270mm after assembly)

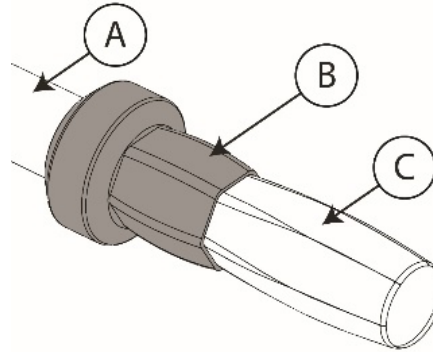
Max Loading: 75KGS

Working Temperature: 0-45°C (32°F to 113°F)

Storage Temperature: 0-45°C (32°F to 113°F)

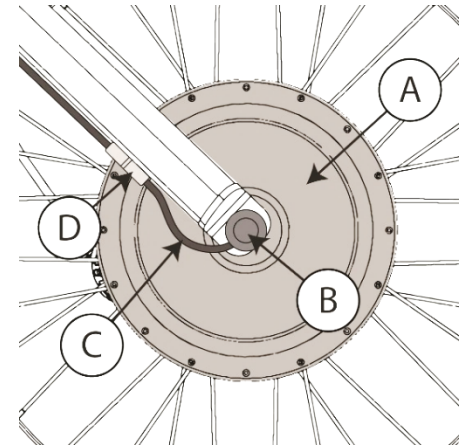
IP Class: IPX4

### Throttle



- A) Handlebar
- B) Twist throttle
- C) Grip

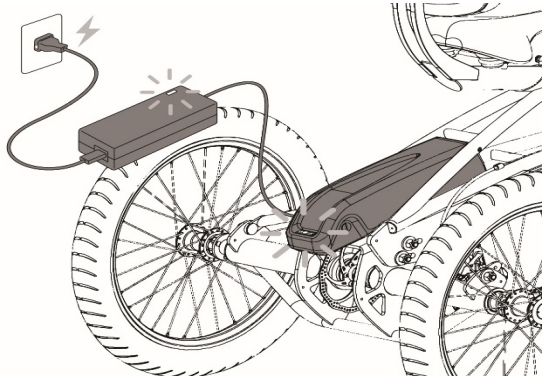
### Hub Motor



- A) Hub motor casing
- B) Axle nut cover
- C) Power cord
- D) Power cord coupler

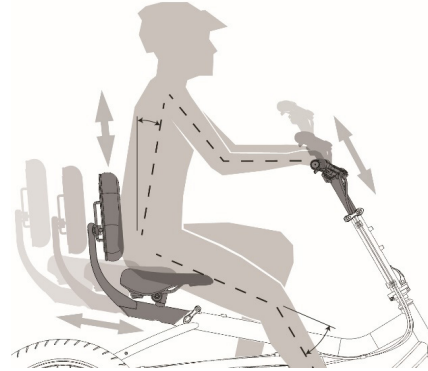
## Getting started

### Step 1: Charge the battery



1. Connect the AC power plug into the charger.
2. Plug the AC power cord into an electrical outlet. The LED indicators on the charger will light up: Power red – Charge green. Connect the charging plug into the battery's left side charging port. The LED charge indicator on the charger will turn red confirming that charging is underway. Let the battery charge until it is full.
3. The light on the charger will turn green when fully charged.
4. Pull the charging plug from the battery port and replace the rubber protector cap.

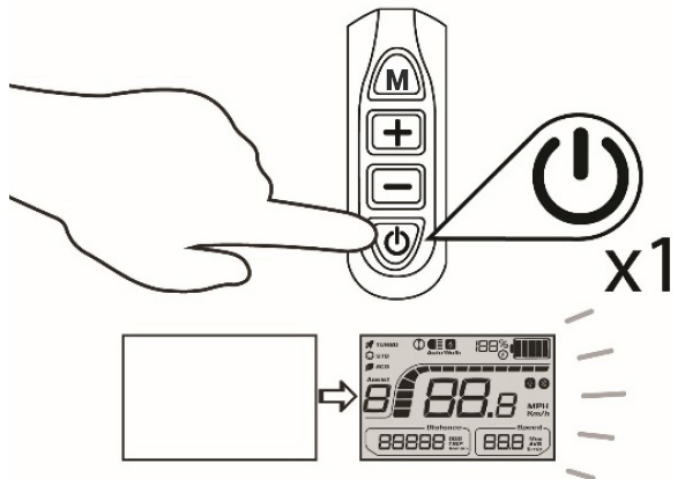
### Step 2: Adjust your position

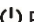


1. Slide the seat post backwards or forwards into the frame to set proper leg extension. See section Setting your seat position for instructions.
2. Move the backrest support up or down along the rail and adjust the angle to your preference. See section Setting the backrest height and angle for instructions.
3. Raise or lower the upper stem assembly to find a comfortable handlebar height.
4. Make sure all the tightening levers and bolts are tight.

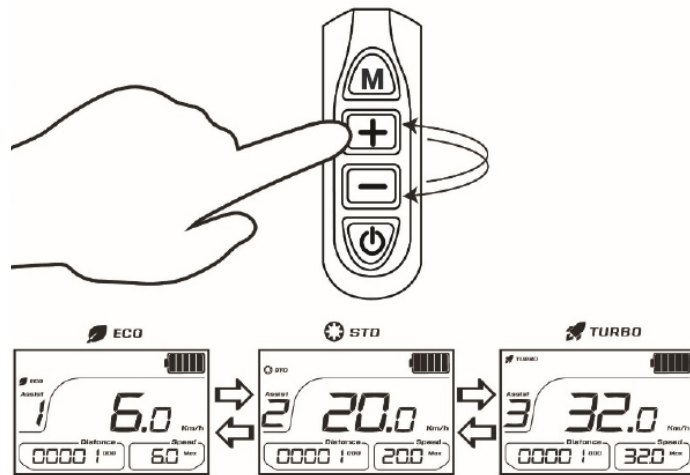




### Step 3: Turn the system ON



1. Get seated and put at least one foot on the ground.
2. Press the  Power button on the control panel until the LCD Screen lights up. The default power assistance level at start up is 0.

### Step 4: Choose an assistance level



1. Press the  button on the control panel to switch to a higher power assistance level (0 to 5).
2. Press the  button on the control panel to switch to a lower power assistance level.



*Level 1 provides the least power assistance, while level 5 provides the most. Level 0 provides no power assistance.*

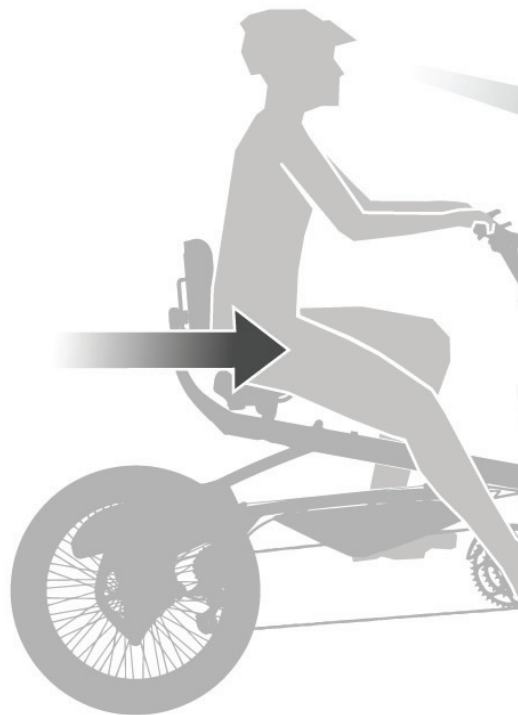


*Be careful if you choose to start off with a high level of power assistance as the first pedal stroke may result in a surprisingly powerful acceleration.*

**Step 5: Turn the lights on/off**

With the system turned on, briefly pressing the power button again will turn the headlight and taillight on or off.

**Step 6: Start off!**



1. Make sure the way is clear in front of you.
2. Hold on firmly to the handlebars and begin pedalling. The power assistance will kick in quickly.



*Make sure the battery is securely locked on the frame before getting started!*



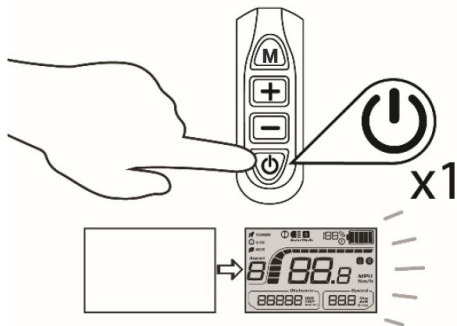
*Check your battery charge level before going for a ride! Don't run out of power far away from home!*

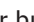


*Every time the power assistance system is turned OFF, the assistance mode and level will reset and return to 0 once the system is turned ON again.*

## Using the LCD Screen functions

### Turning the LCD Screen ON

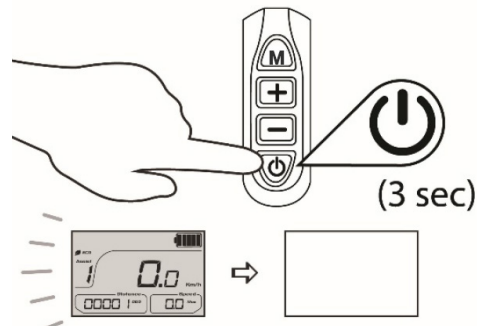



Press the  Power button on the control panel to turn the LCD Screen ON.



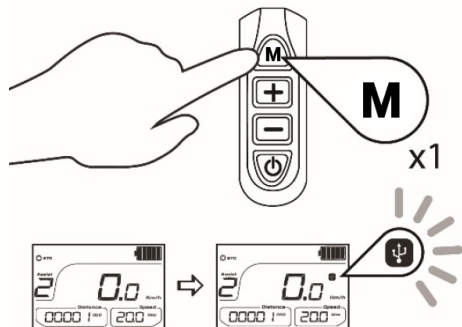
*In order to save battery capacity the LCD Screen will shut down automatically after 10 minutes inactivity or without input.*

### Turning the LCD Screen OFF



To turn the LCD Screen OFF press and hold the  Power button on the control panel for 3 seconds.

### *Activating the USB charging function*




Once the LCD Screen has been turned ON, briefly press the **M** button on the control panel to activate the USB charging function. The USB logo will light up.

### *Deactivating the USB charging function*

To de-activate the USB charging function briefly press the **M** button again. The USB logo will disappear.

## Turning the power assist system on

To activate the power assistance system, press the  power button on the control panel. The LCD Screen will light up and show Assistance mode 0 by default.

## Choosing a mode of assistance

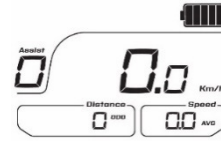
The LCD Screen unit shows which mode you're in. Use a power assistance level based on the riding conditions. Use a higher assistance level when going uphill or against a head wind, and to conserve battery charge switch to a lower assistance level if you are riding on a flat road or with a tail wind.

Switch through power assist levels using the **+** and **-** buttons on the control panel.

## Power assistance mode (5 levels)

Use this mode whenever you wish to benefit from electrical power assistance, which makes pedalling easier. Compared to the No-pedalling mode, this mode gives you longer range for the same charge.

### Level 0



This is the mode when you pedal without throttle or any power assistance.

### Level 1



In *ECO* mode the motor gives you power assistance up to 6 Km/h when pedalling. Acceleration is set to smooth.

This mode is recommended for beginners or people who like to cruise around at low speed.

It is not recommended for riding up steep inclines.

### Level 2



This intermediate mode offers a smooth power assistance up to 12 Km/h. This means less effort for you if you are travelling at a steady speed on a level road with a headwind or slight incline.

This mode is recommended unless your ride itinerary includes several steeper inclines and requires more assistance from the motor.

### Level 3



This mode allows you to ride at a maximum of 25km/h with minimal effort with a very smooth acceleration curve.

Ideal for rides in all types of terrain.

#### Level 4



This mode will allow you a faster and more powerful acceleration, allowing you to reach 32km/h

#### Level 5



This mode gives you access to the maximum power assistance the motor can provide, up to 32 Km/h. The rider should be ready for a stronger sharp acceleration.

This is recommended for steeper inclines when a maximum boost from the motor is needed.

Not recommended for beginners.

#### No-Pedalling mode

From a stop or while in motion, simply twist the Throttle Handle (on the right) to move forward. To reach the top of some hills, it may be necessary to pedal as well.

Note that the throttle is limited to the top speed of the power assist level that you are using.



*Depending on local regulations the No-Pedalling mode might not be available in some areas!*



*Battery range is dependant on the type of roadway, the number of hills and their steepness, the speed and direction of the wind, tire pressure, and the weight of the user.*


#### Manual mode

In assistance mode, when you select level 0 on the LCD Screen, the power assistance and the throttle remain inactive, but you will have access to the Panel information such as speed, distance, etc.

#### Cruise control

This mode allows you to maintain a steady desired speed without pedalling.

#### To activate Cruise control mode

Twist the Throttle Handle (on right handlebar) until the desired speed is reached, maintain this speed for a few seconds then press the  button until you see a “C” on the LCD Screen. Then you can release the throttle and button and the Cruise control mode is activated.

To deactivate the Cruise Control, simply press one of the brake levers or use the throttle.

#### Walk assist mode

The walk assist mode is useful when the rider is walking alongside of the tricycle and a bit of extra power is needed to push it up an incline or an access ramp, or if carrying heavy cargo. Walk assist mode is limited to 4km/h



*When Walk Assist mode is activated the motor engages immediately and propels the tricycle forward at 4 km/h. Always make sure the path is clear in front and hold firmly onto the handlebars. The motor will disengage as soon as the + button is released or a brake lever is pulled.*

## Operating range and battery optimisation

### Operating range

The estimated operating range\* of your electrically assisted Azteca is as below:

- In No-Pedalling Mode: 15 - 40 km
- In Power Assist Mode (level 2): 50 - 70km

*Unfortunately, it is impossible to provide a precise operating range for a battery charge due to the many variables involved in every type of terrain, rider behavior, equipment adjustment, battery condition and weather conditions. These estimated distances were calculated under ideal conditions, for an 85 kg (187 lbs) person riding on paved and level roads, without headwinds, and with tires inflated to manufacturer's specifications (see recommended pressure on side of tire), while riding at a steady speed of 20 km/h.*

### Battery optimisation

Here are a few recommendations that can help you make the most of a battery charge:

- Use the power assistance mode you need for each condition during your ride (you may not need maximum assistance while riding on flat ground or with a tailwind).
- Down shift to a lower gear before coming to a complete stop, then you can start off again on an easy gear and shift up progressively as you gain speed. This will make it much easier for the motor to assist your acceleration and help preserve your transmission components as well.
- Keep your tires inflated at the recommended pressure (this will significantly reduce the rolling resistance of your tires and requires less power from the battery).
- To keep your overall weight as low as possible only bring necessary equipment on your ride.



*The distance you can ride with a single battery charge varies greatly depending on several factors.*



*Selected power assistance mode, road incline, wind strength, and air temperature among other factors, will affect battery autonomy.*

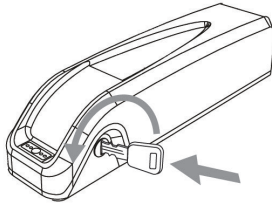


*Irregular ground types also influence your operating range. For example, a loose unpaved surface such as gravel increases tire rolling resistance and therefore requires more power, reducing battery range.*

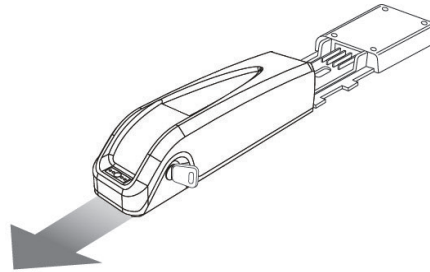
## Removing or inserting the battery

Remove the battery from the frame for charging or for longer term storage.

**To remove the battery:**



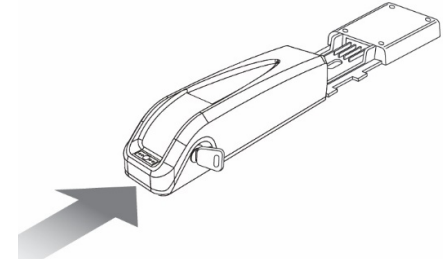
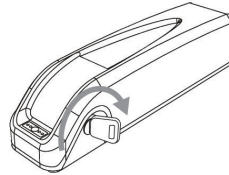
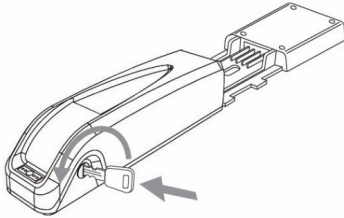
1. Insert the key into the battery's lock.
2. Turn the key a half turn, counterclockwise (to the left) to unlock the battery.



3. Firmly and carefully pull back on the battery along the battery mounting bracket.



**To Insert the battery:**



1. Insert the key into the battery's lock.
2. Turn the key a half turn, counter-clockwise (to the left) to unlock the battery.
3. Inspect the battery mounting bracket to ensure there's no water or dirt accumulation on the contacts.
4. Carefully align and firmly push the
5. battery along the mounting bracket towards its stopper.
6. Turn the key a half turn, clockwise (to the right) to lock the battery in position.

## Charging the battery of your electric power assist system

### When should the battery be charged?

Charge the battery as needed. For instance, if you only use your Azteca for brief periods and for short rides, the battery can be recharged after a few such rides.

If, on the other hand, you are planning a long ride of 40 km/25 miles or more, it is best to fully charge your battery before leaving.

Generally speaking, if the battery charge indicator on the display indicates there is less than a 50 % charge remaining, charging the battery is recommended.

You may charge your battery at any time, as this type of battery does not have any 'memory effect' and the charger is of the 'smart type'; it will stop charging by itself once the battery is fully charged.

The battery must be charged at least every two months.



*A full charge of a battery when empty should take a maximum of 8 hours. to complete.*



*If your battery is not fully charged after 8 hours, unplug it immediately and contact a Trivel authorized dealer for a charger battery malfunction diagnostic.*



*Never leave the battery connected to the charger for more than 24 hours!*

### To charge the battery:

1. Connect the AC power plug into the charger.
2. Plug the AC power plug into an electrical outlet. The LED indicators on the charger will light up to confirm that current is flowing: Power red – Charge green.
3. Lift the rubber protector cap on the battery and connect the charging plug into the socket.
4. The LED charge indicator on the charger will turn red confirming that charging is underway.
5. Let the battery charge until it is fully charged. When fully charged the light on the charger will turn green.
6. Pull the charging plug from the battery and replace the rubber protector cap.

## Storing the battery

### Battery Maintenance

When your Azteca is not in use for longer periods such as during winter storage, keep the battery indoors after charging it completely for 8 hours; afterwards, you must charge your battery for one hour each month or for two hours every two months.



*Always use the lithium charger supplied by Trivel with a Trivel lithium battery, otherwise your charger and your battery might be damaged.*

### How to store the battery?

Do not expose it to extremes of heat (more than 40°C / 105°F) or cold (-10°C / 14°F) or to damp conditions (rain, water, garages, sheds, hangars, or unheated basements).

Even though your battery is of the so-called 'no-memory' type, it is advisable to recondition it at regular intervals by running it down and recharging it completely (8 hours).



*Avoid using an electrically assisted vehicle during extreme conditions (for your safety and for proper functioning of the equipment).*



*Avoid salt, sand, calcium, water and ice and your system will perform much better. Using your tricycle in such conditions will void your warranty.*



*Never leave the battery connected to the charger and to an electrical outlet for more than 24 hours. This could damage the charger and the battery. Never connect your battery and your charger to an electrical outlet for an overly long period of time (during an entire winter for instance). This will damage your battery and your charger. This must absolutely be avoided.*

## Minimum battery maintenance schedule

It is essential that you look after your battery maintenance at regular intervals. This is particularly important during the off season, when you are likely not using your Azteca for longer periods.

### 48V Lithium Battery:

Your battery must maintain a minimum voltage of 40 volts. If the voltage goes below 30 volts, the battery could become irreversibly damaged and might no longer be able to accept a full charge.

To protect the battery's warranty, follow this maintenance procedure:

If using your Azteca seasonally, after your last long ride of the season you should immediately charge your battery for eight (8) hours. Then, during the off months, charge the battery for 2 hours every two months.

## Troubleshooting (electric assistance)

### Error codes

When the system detects an abnormality, the power assistance will be interrupted, and the LCD Screen will display an error code. Below is a list of error codes and their relative description. This is for reference to help diagnose problems with a technician.

After an error code notification the power assistance system will not operate until the issue is addressed and resolved. If an error code is displayed do not ride your Azteca until it is resolved.

Please communicate with a qualified technician and book an appointment for service when an error code is displayed.

ERROR CODE	DESCRIPTION
2	Electric current abnormality or damaged operating system
3	Motor locked up
4	Low voltage
5	Brake sensor abnormality
6	Motor abnormality
7	Throttle abnormality
8	Error 358
9	Over voltage
10	Communication with control panel abnormality
15	Communication with LCD Screen abnormality

## Maintenance and adjustments

Regular and proper maintenance of your Azteca is key for your safety, and to ensure good long-term performance of mechanical components. Follow these instructions and make sure to take your Azteca to your dealer for evaluation and servicing at regular intervals.

Many regular maintenance operations and adjustments can be accomplished at home with only a few tools. If you are not familiar with tools and bicycle mechanics or if you are not entirely confident with your skills, we strongly recommend that you seek assistance from someone with the proper skills and experience.. A qualified technician at your dealer can also help you for that task.

Note that some adjustments and repairs are better left to a qualified technician.

These operations either require specific tools or expertise, and therefore should only be performed by an approved Trivel dealer technician. These adjustments or repairs will be noted as such in this chapter.

To learn more, contact your Trivel representative.



*A qualified Trivel technician must ensure the initial adjustment of your Trivel.*



*Do not tighten screws with air or electric tools; the final tightening must be done manually.*



*Do not modify the frame in any way. Drilling and grinding can cause severe structural damage and will automatically void the warranty.*



*Do not use any lock rings other than those designed and approved by Trivel.*



*The latest version of this manual is available on our website at [www.trivel.com](http://www.trivel.com)*

### **Tools, products and protective gear needed**



*Depending on your specific Trivel model not all of these tools may be needed .*



*Depending on your specific Trivel model some tools not listed here may also be needed.*



*Trivel components and accessories use metric size standard hardware. Do not attempt to perform mechanical work with other sizes of tools or hardware, you may damage bolts and components.*



*Maintenance of your Azteca requires handling some chemical products that can be hazardous to your health.*



*Make sure to follow the products safety recommendations and wear adequate protective gear when performing mechanical work and maintenance.*

### **Tools:**

- Screwdriver for Phillips head bolts (small and medium sizes).
- Metric Allen keys (sizes 2 mm to 8 mm).
- Metric wrench keys (sizes 8 mm to 17 mm).
- Torque wrench (low torque range).
- Air pump with pressure gauge.

### **Lubricants and cleaning products:**

- Bio chain lubricant (wet or dry grade).
- Bio degreaser spray for metal parts.
- Lubricant spray for metal parts.
- PTFE lubricant.
- Isopropyl alcohol spray.

### **Protective gear:**

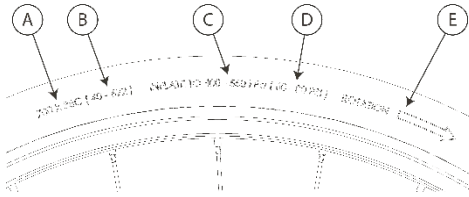
- Protective vinyl gloves.
- Protective goggles.
- Mechanics apron.
- Clean rags.

### **Preventive maintenance**

- Always maintain tire pressure as recommended by the tire manufacturer. You'll find this information on the tire's sidewall.
- Ensure gearing systems are well lubricated.
- Make sure all nuts and bolts are tightened.
- To prevent corrosion thoroughly clean the tricycle after exposure to salt or minerals, such as coastal air. Protect the tricycle from rain and snow
- Check brakes regularly to ensure safe braking.

## Tire pressure adjustment

Regularly check that tire pressure matches the pressure recommended by the tire manufacturer (the recommended pressure is shown on the tire's sidewall as shown below):



A) Commercial tire size naming (ex: 16x1.25, 20x2.10, 24x1.95, 26x1.95, 700x38C, etc.)

B) International standard ETRTO tire size naming (tire and rim width per diameter interface, in millimeters)

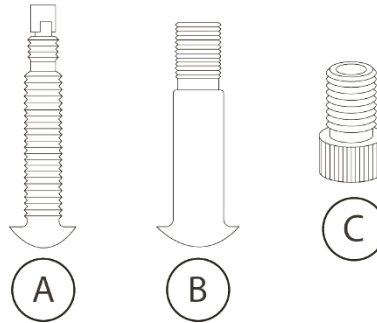
C) Manufacturer's recommended tire pressure range (kPa unit)

D) Manufacturer's recommended tire pressure range (PSI unit)

E) Tire's intended rotation direction

## Identifying the style of valve

There are two major types of modern valves; Presta (French) or Schrader (American). The illustration below shows the difference.



A) Presta valve (also known as French type)

B) Schrader valve (also known as American type)

C) An adaptor can be used to convert a Presta valve to a Schrader valve.



Most bicycle pumps can be used with both types of valves, either through a dual-type pump head or by reorienting the pump head's rubber joint. If you're unsure how to use a pump, ask a qualified technician.



Riding with insufficient tire pressure can lead to a puncture of the inner tube and / or damage to the tire and rim.



Riding with insufficient tire pressure will reduce the autonomy range of the power assist system!

**Recommended pressure for Azteca with factory supplied tires:**

Tire Type/Size	Pressure Range
Regular – 20" x 2"	30-55 PSI
Fat – 20" x 4"	5-30 PSI

## Changing a punctured inner tube

You might eventually experience a sudden or slow loss of air pressure from a wheel. It may come from rolling over sharp objects such as broken glass, thorns, etc. or as a result of hitting an obstacle with an insufficiently inflated tire. In both cases, the inner tube has been punctured and will need to be repaired or replaced.



*Over time it is normal for a tire to lose air pressure. After a long period in storage you'll notice that the tires have gone almost completely flat. This doesn't mean you need to change the inner tube. Simply re-inflate your tire to the recommended tire pressure to avoid puncture.*



*We strongly recommend replacing a punctured inner tube with a new one instead of attempting to patch repair an old tube. The reason is that a tube repair is often weak, and air can often leak from a patched tube. A new tube is a time saving, relatively inexpensive and safe solution. Your old tube will get recycled if you take it to a bike shop. Alternatively, it is also possible to re-use it as an attachment strap.*



*For a front wheel flat or tire replacement on a model equipped with an electrical power assistance system, the front wheel will have to be removed with the motor. Only a trained Trivel technician is qualified to perform this work without causing damage. We strongly recommend you contact an authorized Trivel representative to have the work performed. Should this not be done, the owner shall not hold the company liable for any damages caused by an improper procedure by a person who is unqualified and not authorized by Trivel.*

### Material needed

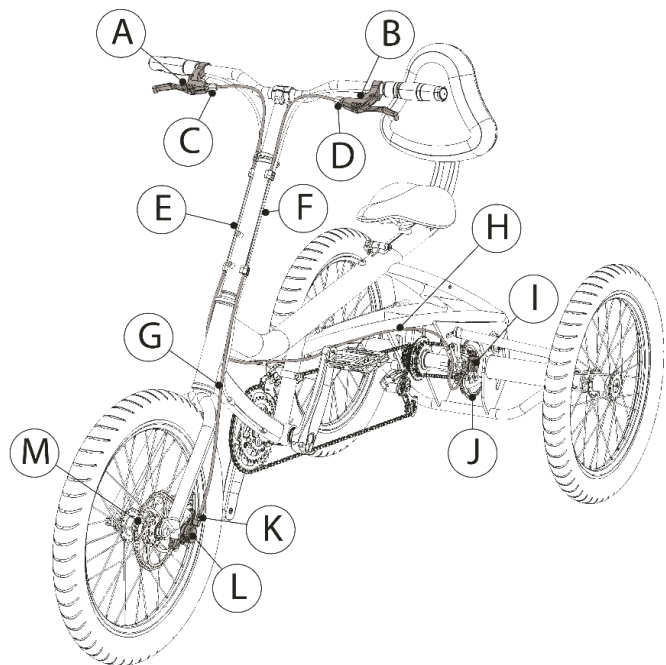
- A puncture repair kit or a compatible new inner tube (*make sure to purchase a compatible tube by giving all the relevant information regarding the size of the tire and type of valve at the time of purchase*).
- A set of tire levers (*bike tire specific models in plastic are recommended, do not use metal motocross tire levers or a screwdriver as this will likely damage the tube and / or the wheel rim*).
- An air pump with a pressure gauge that's designed for bicycle use.

### Instructions

1. (Front wheel): Remove the wheel from the fork. (Rear wheels): Lift the rear end of the tricycle and proceed as follows without removing the wheel from the frame.
2. Detach the tire from the rim first using tire levers.
3. Remove the inner tube and locate the puncture.
4. Find the corresponding location of the puncture outside and inside the tire.
5. Check for any sharp objects stuck in the tire (if any, remove them or replace tire if it's too damaged).
6. Fix the punctured inner tube with a puncture repair kit or get a new one.
7. Partially re-inflate the new or repaired inner tube just enough so it stays round
8. Insert the inner tube inside the tire
9. Put the tire back on the rim making sure the tire tread is facing forward.
10. Inflate tire to the recommended pressure while checking for even positioning on the rim
11. (Front wheel): Re-install the wheel on the fork



## Brake adjustment

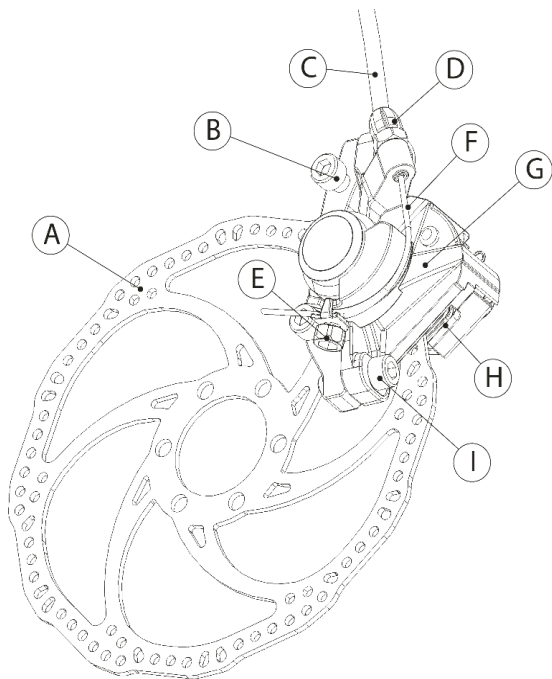


- A) Rear brake lever (right-hand side)
- B) Front brake lever (left-hand side)
- C) Rear brake lever adjusting barrel
- D) Front brake lever adjusting barrel
- E) Rear brake cable
- F) Front brake cable
- G) Front brake cable housing
- H) Rear brake cable housing
- I) Rear brake caliper
- J) Rear brake rotor
- K) Front brake adjusting barrel
- L) Front brake caliper
- M) Front brake rotor



*Front and rear brake side position may be different in some countries (i.e.: Australia, New Zealand, UK, Japan, etc.)*

*Cable-actuated disc brake system component terminology*

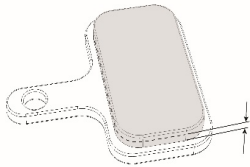


- A) Rotor
- B) Caliper attachment bolts
- C) Cable housing
- D) Cable tension adjusting barrel
- E) Cable pinching bolt
- F) Cable
- G) Caliper body
- H) Brake pads
- I) Caliper centering bolts

*Cable-actuated disc brake system components terminology*

The brakes on your Azteca have been carefully adjusted by a qualified factory technician before delivery.

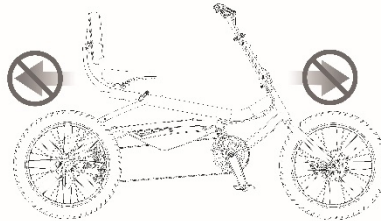
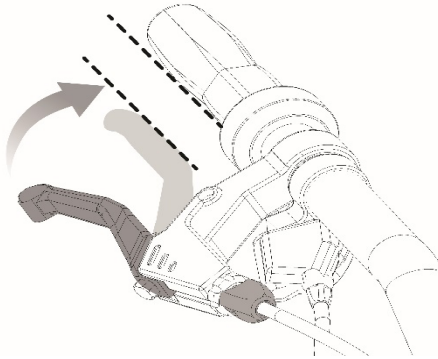
However, it is normal for brakes to wear over time and their power will fade as the brake pad material becomes worn. Because of this, for your safety it is necessary to check your brakes before each ride and adjust them if needed.



The brake pads should be replaced by a qualified technician when their material thickness has reached 1 mm or less, or if they have been contaminated by oil or grease!

### ***Checking brake function***

Firmly pull the brakes levers. There should be a gap of at least 1 cm between the grip and the lever and the trike should not move when pushed backward or forward.



If this is not the case do not use your Azteca before resolving the issue! Begin with basic cable tension and brake pad position adjustments.



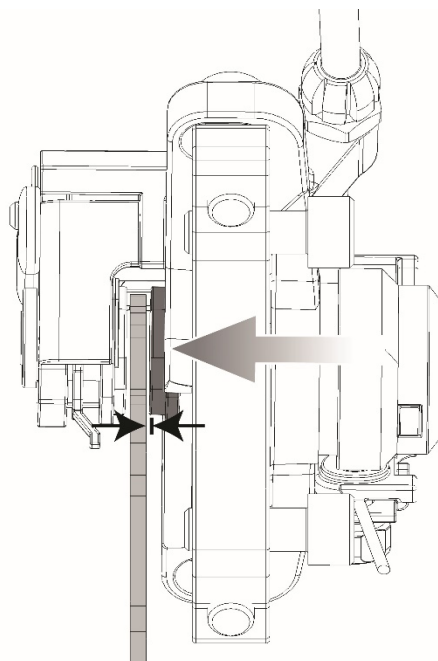
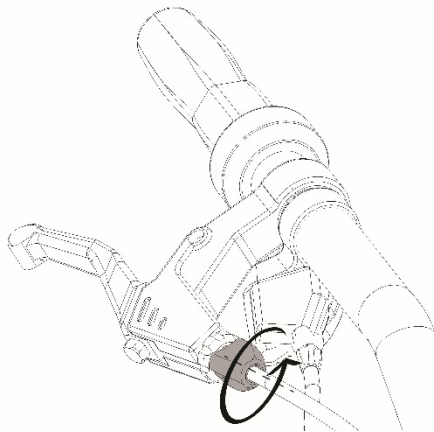
*Do not attempt to adjust the brakes by yourself if you don't fully understand this section or if you are not confident in your mechanical skills. We strongly recommend that you only have your brakes adjusted by a qualified technician. Poorly adjusted brakes can lead to a loss of control and result in serious injuries.*

### ***Adjust the brake pads position***

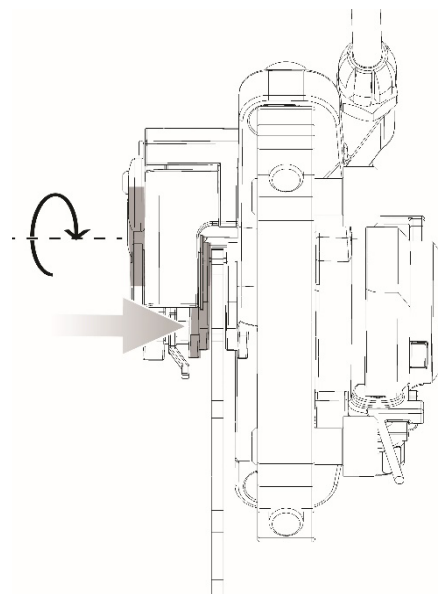
Adjust the position of both brake pads (outboard and inboard) so they sit as close as possible to the rotor without rubbing it when the wheel spins.



*If these adjustments did not fix the braking power issue, do not ride your Azteca before having it inspected by a qualified technician!*



1. Turn the adjustment barrel on the brake lever counterclockwise to move the outboard brake pad closer to the rotor.



2. Move the inboard brake pad closer to the rotor by using the corresponding tool or knob on the inboard piston clockwise (first loosen the anti-rotation set screw if there is one, and make sure to tighten it again after the adjustment).



Models equipped with hydraulic brakes do not require this last adjustment as the oil pressure in the system will maintain a steady braking power until the brake pads have worn out and need to be replaced. It is however possible to adjust the brake lever reach if needed. Refer to your manufacturer's instructions for your brake model.



Disc brakes have a wear-in period before they reach their maximal power. Keep this in mind and expect a change in braking power from use right after purchase, or right after brake pad replacement.



When hydraulic disc brakes are used continuously (ex. going down a long descent), the fluid inside the circuit will heat up and can cause a phenomenon called "vapour lock". Heat build-up significantly reduces braking force until the brake is released and allowed to cool down. Prolonged overheating can damage the brake. If you plan to go down long descents often, it is recommended that you use a larger diameter of disc to help to dissipate heat quicker, or a heavy-duty disc brake model.

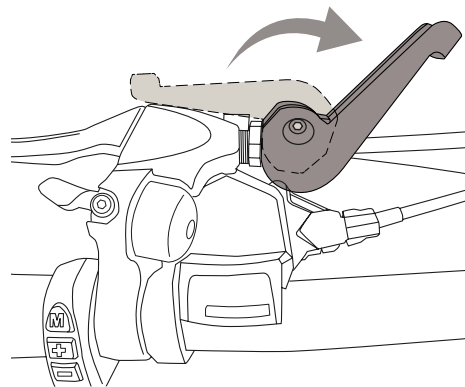


Never touch a disc rotor that is moving or immediately after its use. The disc heats up significantly when braking and this could lead to serious injuries.



Hydraulic disc brakes are very powerful, and the user should be especially careful when using them. A small force on the brake lever results in powerful braking so make sure you only apply moderate, progressive force to the brake levers. If someone else uses your Azteca, it is recommended that you also advise them about this characteristic.

### Activate / deactivate the parking brake



To activate the parking brake, move the handle to the right until it locks into place.

To deactivate the parking brake, move the handle in the original position, near the brake lever.

## Derailleur adjustments

Both front and rear derailleurs on your Azteca have been carefully adjusted by a qualified factory technician before delivery.

After a few rides however, the cables can stretch out a little bit and tension readjustment can become necessary for optimal derailleur alignment with the gears and for shifting performance.

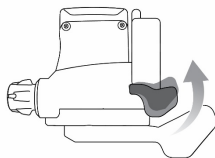


*We recommend that you do not attempt to adjust the derailleurs by yourself if you don't fully understand this section or if you are not confident in your mechanical skills. A poorly adjusted derailleur can damage the transmission system.*

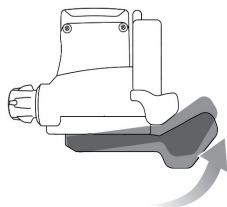
Adjusting derailleur alignment with the gears by correcting the cable tension is somewhat simple and can be achieved without tools.

Here's how to check if it is necessary to adjust front and rear derailleur alignment and how to fine tune the cable tension.

### Check the rear derailleur alignment



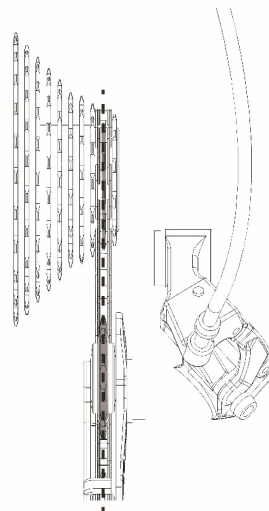
Use the right-hand side shifter to put the chain on the highest rear gear (smallest sprocket on the freewheel).



Shift down one gear by pushing a single click on the shifter's thumb lever.

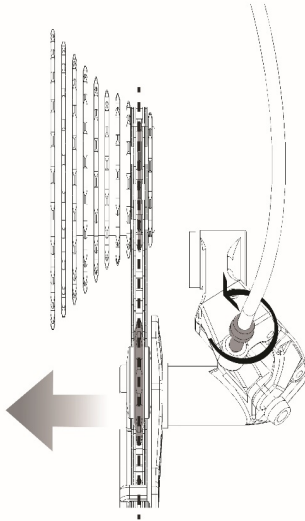


*Rotating the pedals to get the chain moving is necessary for the gear change to take effect.*

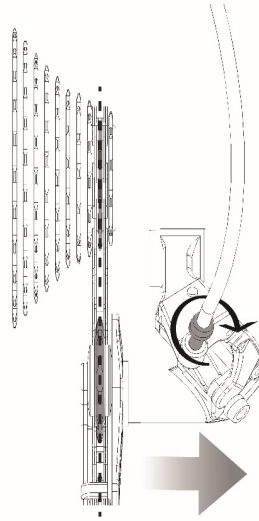


Check that the rear derailleur's upper pulley is aligned with the second gear of the freewheel (as shown below). If the upper pulley is not precisely aligned with the corresponding gear, it must be corrected by adjusting the cable tension.

## *Adjust the rear derailleur cable tension*

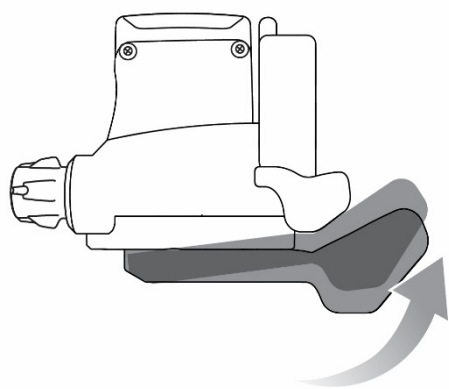


Turn the rear derailleur's barrel adjuster counter-clockwise to increase cable tension and move the derailleur pulleys to the left.

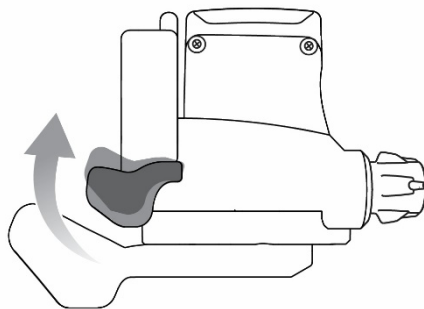


Turn the barrel adjuster clockwise to decrease cable tension and move the derailleur pulleys to the right.

**Check the front derailleur alignment\***  
*(Not applicable on 9-speed model)*



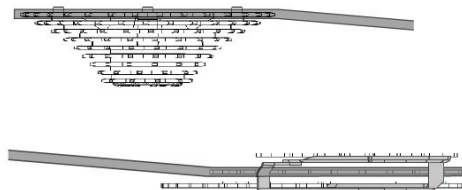
Use the right-hand side shifter to put the chain on the lowest rear gear (biggest sprocket on the freewheel).



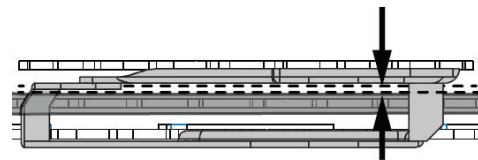
Use the left-hand side shifter to put the chain on the middle front gear.



*Rotating the pedals to get the chain moving is necessary for the gear change to take effect.*



*Chain should be on the middle gear in the front and largest gear in the back*

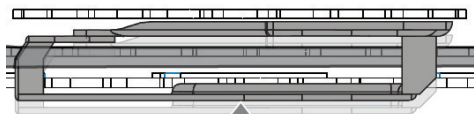
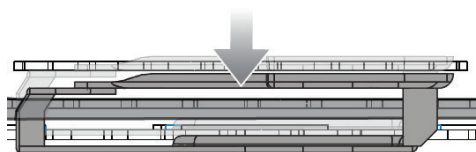
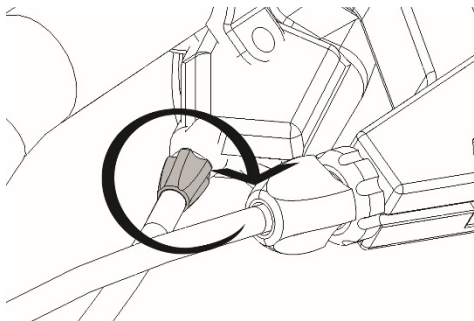
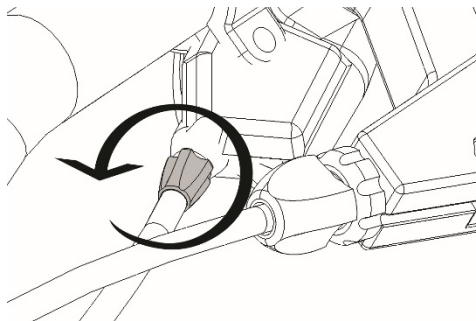


*View from above the front derailleur cage*

Check that the front derailleur cage's inside plate is as close as possible to the chain without touching it. Recommended distance is 0.5 to 1 mm (as shown below). If there is too much of a gap, it must be corrected by adjusting the cable tension.



**Adjust the front derailleur cable tension**  
**(Not applicable on 9-speed model)**

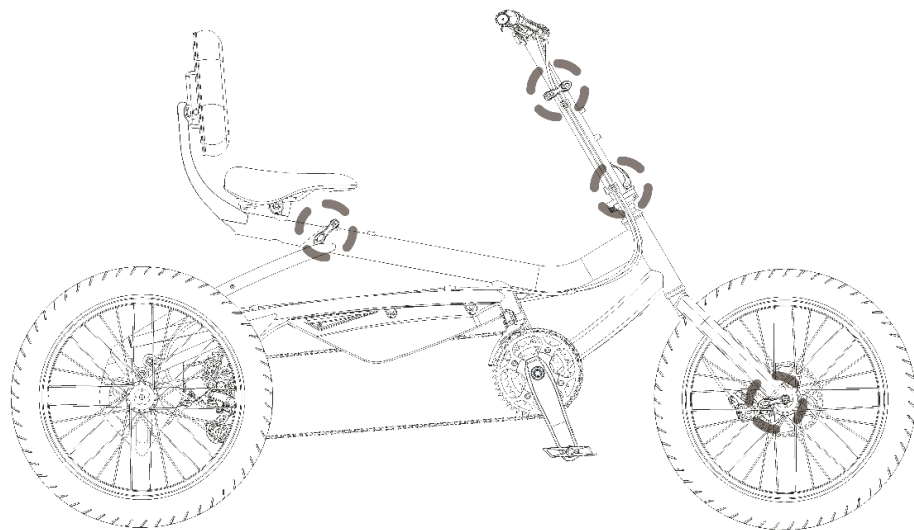


*View from above the front derailleur cage*

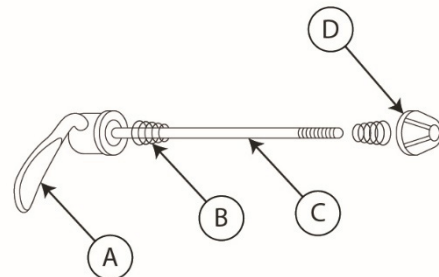
Turn the left shifter barrel adjuster counterclockwise to increase cable tension and move the front derailleur cage closer to the chain.

Turn the barrel adjuster clockwise to decrease cable tension and move the derailleur cage away from the chain.

## Quick release locking levers



Common locations of quick release levers



Common components of a quick release locking lever

- A. Tightening lever    B. Centering spring  
C. Threaded axle    D. Adjustment nut

This type of system is most commonly used to attach wheels to the frame and fork as well as to tighten adjustable components such as the seat post and handlebar stem. They allow for quick tool-free adjustments.

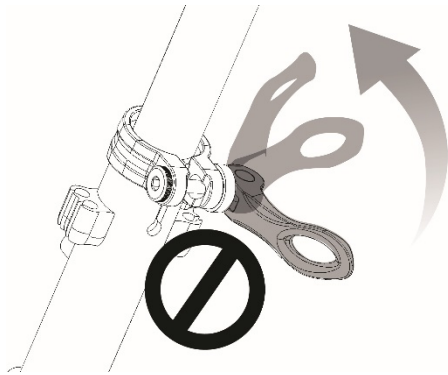


*Quick-release locking levers are very safe and reliable mechanisms. However, they need to be properly adjusted to ensure their efficiency and your safety. Make sure you understand their function before using them. Failure to properly use a quick release locking lever could result in serious injuries or even death*

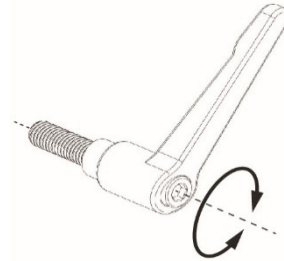
### Using a quick release locking lever

A quick release locking lever uses a cam mechanism to tighten elements together. As opposed to a 'conventional' tightening handle, a quick release system works by pushing the lever laterally, not by rotating it radially.

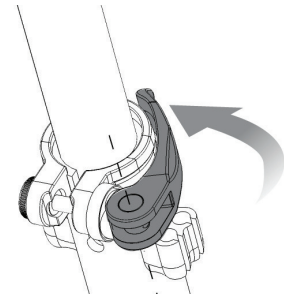
It is important to understand this principle in order to tighten the levers in a safe way and avoid damaging the components.



*Failure to properly use a quick release locking lever could result in serious injuries or even death*



*Conventional locking handle rotating radially*

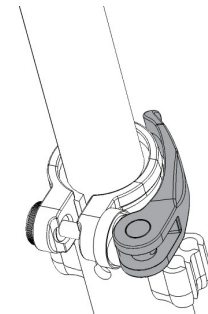


*Quick release locking lever is pushed laterally*



**Quick release lever in 'open' position:**

- Lever is loose (Do not ride)
- For component attachment, removal or adjustment



**Quick release lever in 'closed' position:**

- Lever is tight (OK to ride)
- Component can't be removed or adjusted

### Adjusting a quick release locking lever

Over time or if it's not working efficiently, a quick release locking lever may require adjustment. A properly adjusted quick release lever should require significant force to push the lever from the Open to Closed position.

Generally, if the attached components can slide or rotate when the lever is in the Closed position, it means the locking lever needs adjusting.

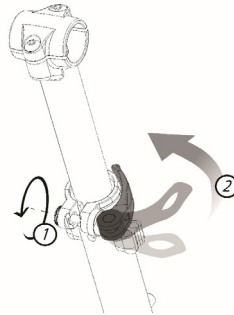


*Check frequently for proper attachment of components using a quick release locking lever on your Azteca to make sure it is mechanically sound and safe to ride.*



*A poorly adjusted quick release lever can cause the components it is supposed to be holding together to move or detach. This can lead to serious injuries or even death.*

### Adjust a quick release lever



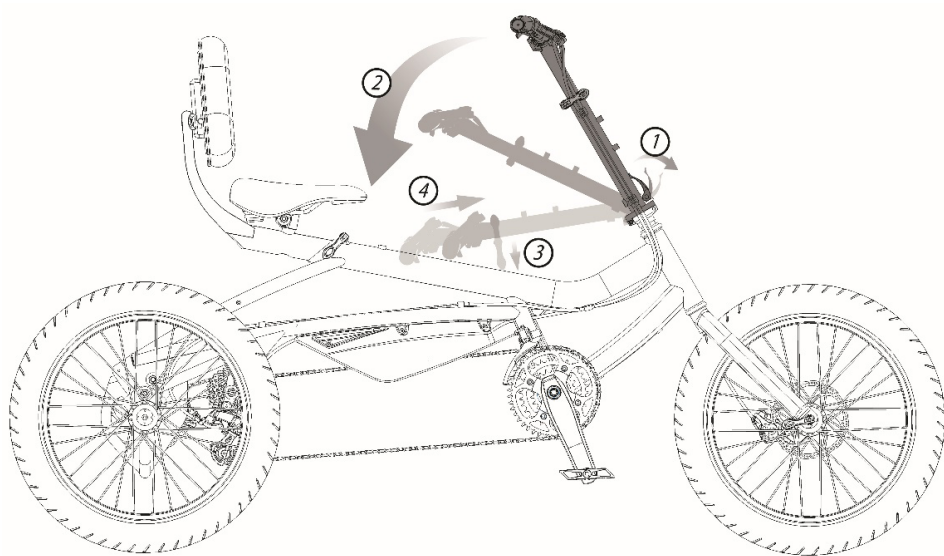
1. Tighten or loosen the adjustment nut until a significant force is required to push the lever into the Closed position.
2. Firmly push the lever into the Closed position with the palm of your hand and check the adjustment by trying to move the attached components. Readjust if needed.



*The force required to push the lever so that proper attachment is reached can vary with time and from one system to another. It is recommended that you test the attachment of the components each time a lever is opened and closed.*

## Folding the stem

The folding stem makes it easier to store and put your Azteca in a vehicle for transportation.



1. Push the safety lock button and pull the stem's lower quick release lever to the Open position.
2. Pull the stem and handlebar down against the frame. (Take care to not let the handlebars fall and damage the frame's finish)

### **\*Optional :**

3. Pull the stem's upper quick release lever to the Open position.
4. Slide the stem's upper shaft inside the tube.

## Lubricating the chain

### When to lubricate?

Lubricate your chain before storing for a long period, after it has been in contact with water, after washing your Azteca, after a muddy off-road ride, or after about 250 km of use in normal conditions.

The chain should be lubricated with a bike specific lubricant. Do not use grease or motor oil.

Your local bike dealer can recommend the best type of lubricant for your chain based on your location and your type of riding.

### How to proceed

Apply a small amount of lubricant over the full length of the chain by gently pouring it over the chain while slowly rotating the pedals counterclockwise.

Let the lubricant penetrate the chain links for a few minutes and remove excess lubricant on the outside of the chain with a cloth. This will prevent dust or sand from sticking to the chain and keep it running smooth.

Be careful not to put lubricant on brake system components such as the disc brake pads or rotors, or the rim's sidewalls as this could negatively affect braking performance. If you accidentally do, promptly clean the component with rubbing alcohol on a cloth (Warning: Do not use car brake cleaner or degreaser on disc brake systems).

### Washing your Azteca

Keeping your Azteca clean is an easy and simple way to keep it performing well and looking great!

### To wash your Azteca

1. Remove the battery if your Azteca is equipped with an electric power assistance system.
2. Find a clear dust-free location.
3. Fill a bucket with warm water and add a bit of biodegradable dishwashing liquid or other soft soap.
4. Clean transmission components such as chain, sprockets, and chain rings first with degreaser using specially designed brushes or a dedicated cloth.
5. Thoroughly wash the frame and

components from top to bottom with soapy water using a soft brush.

6. Rinse with water at low pressure (Do not use a pressure washer as it can get water into sealed components).
7. Dry the chain with a clean cloth and re-lubricate it before letting it air dry.



*Never apply degreaser or lubricant on disc rotors or brake pads. If degreaser or lubricant gets on the brake pads, they may need to be replaced.*



*If needed disc rotors should only be cleaned with isopropyl alcohol on a clean cloth. Do not use car brake cleaner fluid.*

### Electrical Cables

- Check electrical cable connectors to make sure they are fully seated and free from debris or moisture.
- Check cables and cable housing for signs of damage.
- Check all cables are secured away from moving parts.
- Check headlight, rear light, are functioning and unobstructed.

## Storing your Azteca

Store your Azteca in a temperature controlled dry location, preferably indoors or in a locked shed.

Make sure the chain and other corrosion-sensitive components have been lubricated before storing for prolonged periods as rust can accumulate quickly in humid conditions.

Be careful to store your Azteca away from objects that may come into contact with impact-sensitive components such as wheels and derailleurs.

Check that there is sufficient pressure in the tires so the rubber doesn't degrade over a prolonged storage period.

If you plan to leave your Azteca outside, we recommend you lock it and cover it with a tarp to protect from water and allow air circulation.



*Do not store the battery in a place where temperature and humidity levels are not controlled. Store the battery indoors, at normal room temperature.*

## Normal wear

Some components on your Azteca will wear due to their normal usage. Brake pads, the chain, tires, and rims, among other things, are all subject to normal wear.

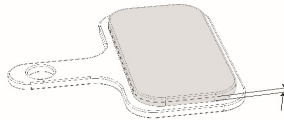
Those components should be replaced before they are completely worn to maintain safety and performance as well as to prevent damage to other components. Components subject to normal wear usually have a built-in wear indicator or at least a dedicated tool available to check wear.



*Periodic inspection of your Azteca by a qualified technician is recommended to spot worn out components and identify compatible replacement parts.*

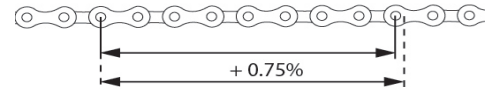
### Brake pads

Replace disc brake pads when material thickness reaches 1 mm or less.



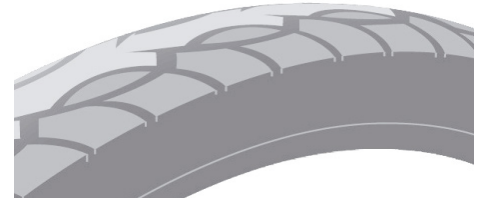
### Chain

Replace a chain before it has been stretched by 0.75% of its initial length. A qualified technician has the knowledge and tool to measure chain stretch.



### Tires

Replace tires when tread is no longer visible or if it has suffered an unreparable puncture or damage.



### Rims

Replace a rim (or complete wheelset) when it is damaged to a point where it cannot be repaired by a qualified technician, or when it shows signs of structural failure such as cracks around the spoke holes.

## *Reflector maintenance*

### *Wheel reflectors*

Use a flat screwdriver and turn a quarter turn counter clockwise to unscrew the reflector. The reflector will be disassembled in 2 parts. Move the reflector at the half of the spokes and screw it to fix his position.



### *Front reflector*

Use a star screwdriver and turn counter clockwise to unscrew and free the reflector. Move the reflector and position the reflector to the angle desired angle. Screw clockwise to fix the position.





## Troubleshooting

Problem	Possible causes	Solution
<b>Rear gears not shifting correctly</b>	<ul style="list-style-type: none"> <li>▪ Derailleur is not indexed with shifter</li> <li>▪ Derailleur hanger is bent</li> <li>▪ Friction in the cable housings</li> <li>▪ Dirt or corrosion in the shifter</li> <li>▪ Chain is damaged</li> </ul>	<ul style="list-style-type: none"> <li>▪ Adjust cable tension</li> <li>▪ Align or replace derailleur hanger</li> <li>▪ Lubricate or replace cable housing</li> <li>▪ Lubricate or replace shifter</li> <li>▪ Fix or replace chain</li> </ul>
<b>Front gears not shifting correctly*</b>	<ul style="list-style-type: none"> <li>▪ Derailleur is not indexed with shifter</li> <li>▪ Derailleur out of position</li> <li>▪ Friction in the cable housings</li> <li>▪ Dirt or corrosion in the shifter</li> </ul>	<ul style="list-style-type: none"> <li>▪ Adjust cable tension</li> <li>▪ Adjust derailleur alignment and height</li> <li>▪ Lubricate or replace cable housing</li> <li>▪ Lubricate or replace shifter</li> <li>▪ Replace chain</li> </ul>
<b>Chain drops</b> From smallest rear sprocket From largest rear sprocket From smallest front chainring* From largest front chainring*	<ul style="list-style-type: none"> <li>▪ Rear derailleur high (H) limit is too loose</li> <li>▪ Rear derailleur low (L) limit is too loose</li> <li>▪ Front derailleur high (H) limit is too loose</li> <li>▪ Front derailleur low (L) limit is too loose</li> </ul>	<ul style="list-style-type: none"> <li>▪ Turn high (H) limit screw clockwise</li> <li>▪ Turn low (L) limit screw clockwise</li> <li>▪ Turn high (H) limit screw clockwise</li> <li>▪ Turn low (L) limit screw clockwise</li> </ul>
<b>Chain won't reach</b> The smallest rear sprocket The largest rear sprocket The smallest front chainring* The largest front chainring*	<ul style="list-style-type: none"> <li>▪ Rear derailleur high (H) limit is too tight</li> <li>▪ Rear derailleur low (L) limit is too tight</li> <li>▪ Front derailleur high (H) limit is too tight</li> <li>▪ Front derailleur low (L) limit is too tight</li> </ul>	<ul style="list-style-type: none"> <li>▪ Turn high (H) limit screw counterclockwise</li> <li>▪ Turn low (L) limit screw counterclockwise</li> <li>▪ Turn high (H) limit screw counterclockwise</li> <li>▪ Turn low (L) limit screw counterclockwise</li> </ul>
<b>Chain skips</b>	<ul style="list-style-type: none"> <li>▪ Chain is worn out</li> <li>▪ One or many sprockets worn out</li> <li>▪ One or many chainrings worn out</li> <li>▪ Sprocket or chainring has a broken tooth</li> </ul>	<ul style="list-style-type: none"> <li>▪ Replace chain</li> <li>▪ Replace sprockets</li> <li>▪ Replace chainrings</li> <li>▪ Replace sprocket or chainring</li> </ul>
<b>Weak braking</b>	<ul style="list-style-type: none"> <li>▪ Brakes are not properly adjusted</li> <li>▪ Brake pads are worn out</li> <li>▪ Rim or disc is dirty</li> </ul>	<ul style="list-style-type: none"> <li>▪ Adjust brakes</li> <li>▪ Replace brake pads</li> <li>▪ Clean rim or disc</li> </ul>

\* Not applicable on 9-speed model

Squeaking sound when braking	<ul style="list-style-type: none"> <li>▪ Disc rotor is wet or dirty</li> <li>▪ Brake pads are glazed or oil contaminated</li> <li>▪ Brake pads are worn out</li> <li>▪ Disc rotor is wobbling</li> <li>▪ Disc rotor attachment is loose</li> <li>▪ Brake caliper is loose</li> </ul>	<ul style="list-style-type: none"> <li>▪ Clean disc rotor</li> <li>▪ Sand or replace brake pads</li> <li>▪ Replace brake pads</li> <li>▪ Align or replace disc rotor</li> <li>▪ Tighten disc rotor attachment</li> <li>▪ Tighten brake caliper bolts</li> </ul>
Vibrations while braking	<ul style="list-style-type: none"> <li>▪ Loose headset bearings</li> <li>▪ Brakes are not properly adjusted</li> <li>▪ Brake pivots are loose</li> <li>▪ Rim or disc rotor wobbling</li> <li>▪ Front wheel not properly attached</li> <li>▪ Rotor unevenly worn</li> </ul>	<ul style="list-style-type: none"> <li>▪ Adjust headset bearings</li> <li>▪ Adjust brakes / Add an angle (toe-in)</li> <li>▪ Tighten brake pivots</li> <li>▪ Align or replace rim or disc rotor</li> <li>▪ Align and tighten front wheel into fork</li> <li>▪ Repair or replace rotor</li> </ul>
Rubbing sound when riding	<ul style="list-style-type: none"> <li>▪ Brake pads are rubbing against rim or disc</li> <li>▪ Rim or disc rotor is rubbing against brake pads</li> <li>▪ Chain in crossed gear combination</li> <li>▪ Object interfering with wheels or crank arms</li> </ul>	<ul style="list-style-type: none"> <li>▪ Adjust brake pads spacing</li> <li>▪ Align rim or disc rotor</li> <li>▪ Shift gear to another combination</li> <li>▪ Remove interfering object</li> </ul>
Creaking sound when pedalling	<ul style="list-style-type: none"> <li>▪ Loose or dirty bottom bracket</li> <li>▪ Loose crank arms</li> <li>▪ Damaged pedals bearings</li> <li>▪ Chain is dirty or rusted</li> <li>▪ Stiff chain link</li> <li>▪ Chain tension too high (for single speed bike)</li> </ul>	<ul style="list-style-type: none"> <li>▪ Tighten and clean bottom bracket</li> <li>▪ Tighten crank arms</li> <li>▪ Fix or replace pedals</li> <li>▪ Clean and lubricate chain</li> <li>▪ Fix or replace chain</li> <li>▪ Adjust chain tension</li> </ul>
Poor handling	<ul style="list-style-type: none"> <li>▪ Headset bearings are too tight</li> <li>▪ Wheels not centered in frame and fork</li> <li>▪ Stem / handlebar is misaligned with fork</li> <li>▪ Fork is bent</li> <li>▪ Frame is bent</li> </ul>	<ul style="list-style-type: none"> <li>▪ Adjust headset bearings</li> <li>▪ Center wheels in frame and fork</li> <li>▪ Align stem / handlebar with fork</li> <li>▪ Fix or replace fork</li> <li>▪ Fix or replace frame</li> </ul>
Frequent flats	<ul style="list-style-type: none"> <li>▪ Riding with a too low pressure (pinch flat)</li> <li>▪ Sharp object stuck inside tire</li> <li>▪ Damaged inner tube</li> <li>▪ Damaged tire</li> <li>▪ Rim tape not properly seated on rim</li> </ul>	<ul style="list-style-type: none"> <li>▪ Increase tire pressure</li> <li>▪ Remove and fix or replace inner tube</li> <li>▪ Fix or replace inner tube</li> <li>▪ Fix or replace tire</li> <li>▪ Reposition rim tape</li> </ul>

## *Warranty terms*

By the present, Trivel gives notice to the owner or the user of an Electrically Assisted Vehicle of the provisions of the limited warranty that Trivel offers the owner following the purchase of the equipment from an authorized Trivel dealer.

### *Warranty against hidden defects*

Trivel warrants to the owner that its equipment, when new, is exempt from hidden defects. Should the owner discover what he believes is a hidden defect, he must notify Trivel in writing within three (3) days from the moment when he or she first becomes aware of said defect in order to give Trivel the opportunity to correct said defect if possible, at the sole discretion of Trivel and provided Trivel can establish said hidden defect is present before the expiration of the warranty.

### *Warranty against apparent anomaly*

The owner must verify the apparent condition, the quantity and the contents of the equipment following the purchase and, on the same day, must immediately proceed with a complete inspection of it with the help from the owner's manual.

If there is damage, if a part is missing or is damaged, if the equipment is broken, or if there are other problems of the same kind (hereafter known as: 'apparent anomaly'), the owner must contact the dealer immediately and notify Trivel within three (3) days from the date of purchase from the dealer by registered letter, a receipt for which must be kept for reference. Should the owner not advise of the apparent anomaly within the prescribed time period, Trivel shall not be responsible for any prejudice suffered by the owner due to the Apparent anomaly and the equipment shall be deemed free of any Apparent anomaly when purchased and the owner deemed satisfied with the purchase.

### *Drive system warranty*

Trivel warrants to the owner that the drive system included with the equipment, when new, is in good working condition. This warranty shall expire twelve (12) months following the purchase date of the equipment from the dealer. The propulsion system is defined as including the control display, the accelerator components, the motor, the wiring cluster parts and the electric cables.

### *Frame*

Trivel warrants to the owner that the frame of the electrically assisted vehicle when new, is free from defects in materials and workmanship. This warranty shall expire sixty (60) months following the purchase date of the equipment from the dealer. The frame excludes the battery, all the electric components, the paint and finish, the front fork, the wheels, the tires, the drive train, the brakes, the saddle post, the handlebar and stem and any suspension component or part.

### ***Useful life warranty***

As with any other consumer good, the electrically assisted vehicle has a useful life cycle. The length of the useful life cycle can vary depending on the criteria chosen for workmanship and materials of the equipment, as well as the kind of use and frequency to which the vehicle has been subjected. However, Trivel advises the owner that the maintenance and upkeep performed on the equipment during its useful life cycle are very important as a means of prolonging the useful life cycle of the product. Consequently, Trivel advises the owner that the equipment must be checked periodically by the dealer as general maintenance of the product and as a means of detecting stress and/or potential failures including, but without limiting the generality of the preceding, cracks, deformations, corrosion, paint chipping, dents and any other indications of potential problems, improper use or abuse. These regular verifications are important safety checks and they are essential in helping to prevent accidents, bodily injury and premature reduction of the useful product life cycle of the equipment.

### ***Merchandise return policy during warranty period***

If a defect occurs during the warranty period, the parts (batteries, control panel, or any other parts of the bicycle) will have to be shipped to Trivel directly from an authorized Trivel retailer and, following repairs, Trivel shall ship the parts back without charge to the retailer exclusively. If the shipping address is different than the nearest Trivel retailer's the customer shall have to pay shipping costs both to and from said different address.

### ***Validity of the limited warranty***

The Trivel limited warranty is conditional to the equipment having been handled and maintained adequately by the owner in accordance with the notices to the owner and the instructions printed in the owner's manual and on the equipment having been stored in appropriate conditions and at an adequate temperature given the specific characteristics of the equipment. To be able to benefit from the terms and conditions of the limited warranty offered by Trivel, the owner must fill a Trivel limited warranty form (which can be found at an authorized Trivel dealer and on Trivel website) and

return it to the dealer with a copy of the invoice obtained at the time of purchase to Trivel within thirty (30) days of the purchase date.

Without limiting the generality of the preceding, the Trivel limited warranty excludes components of the vehicle that are damaged by an error or negligence in the maintenance of the equipment and its components or resulting from a use that does not conform to the notice to the owner and to the Trivel owner's manual by the owner. With the exception of the parts specifically mentioned in the present limited warranty, the purchase of the electrically assisted vehicle is made at the risk and peril of the owner.

DURING THE WARRANTY PERIOD, SHOULD THERE BE A PROBLEM WITH YOUR PRODUCT, YOU SHOULD HAVE REPAIRS MADE BY AN AUTHORIZED TRIVEL RETAILER IN ORDER TO CONSERVE YOUR RIGHTS UNDER THE WARRANTY.

Example: For a front wheel flat or tire replacement on a model equipped with an electrical power assistance system, the front wheel will have to be removed with the motor. Only a Trivel-trained person is qualified to perform this work without causing damages. It is thus strongly recommended that the owner contact an authorized Trivel representative to have the work performed. Should this not be done, the owner shall not hold Trivel liable for any damages caused by an improper procedure by a person who is unqualified and not authorized by Trivel.

***THE WARRANTY IS NON-TRANSFERRABLE***

Trivel warrants to the owner that the battery included with the vehicle, when new, is in good working order. This warranty shall expire twelve (12) months following the purchase date of the equipment for a Lithium battery.

Make sure that the battery was new when purchased. The year of the battery is found within the serial number.

The battery must be charged at least every two months.

Should these instructions not be followed, there is a risk of battery malfunction, and this will not be covered by the limited warranty.

**Note:** \_\_\_\_\_

---

---

---

---

---

---

---

---

---

---

---

---

---

---

---



Experience limitless possibilities

